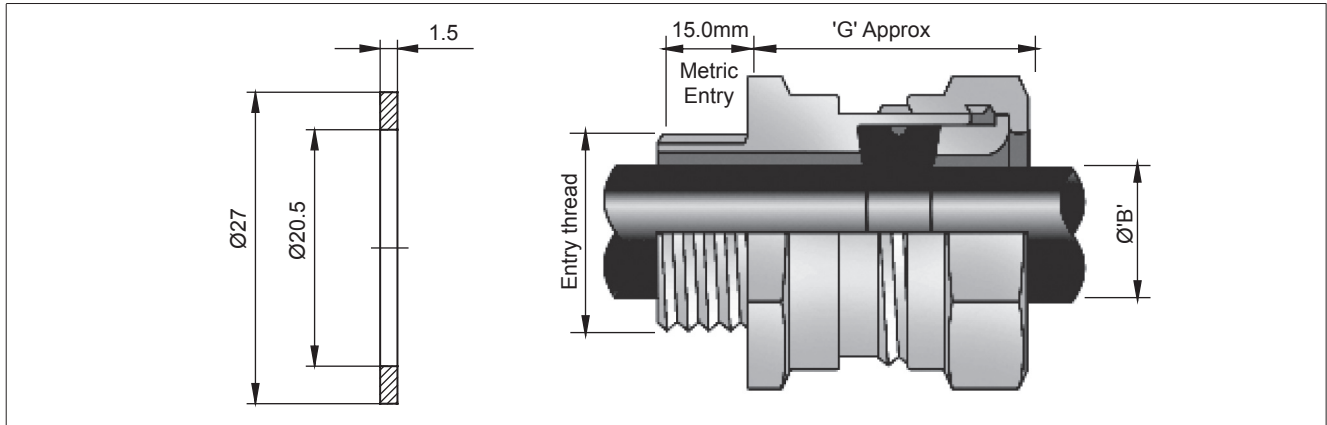


CABLE GLAND FOR FLAMEPROOF AND INCREASED SAFETY CONNECTION HEADS

Ex d, Ex e, Ex tb ATEX, IECEx, CSA CABLE GLANDS FOR NON-ARMOURED CABLES



ORDERING NO.	ENTRY THREAD SIZE	OUTER SHEET B		COMPRESSED LENGTH G	HEXAGON ACROSS FLATS
		MIN	MAX		
501/421/Os/M20	M20×1.5	3.0	8.0	32.8	24.0
501/421/Os/ ½NPT	½NPT	3.0	8.0	32.8	24.0
501/421/O/M20	M20×1.5	7.5	11.9	32.8	24.0
501/421/O/½NPT	½NPT	7.5	11.9	32.8	24.0
501/421/A/M20/S	M20×1.5	8.5	13.5	32.8	24.0
501/421/A/½NPT/S	½NPT	8.5	13.5	32.8	24.0
501/421/A/M20	M20×1.5	11.0	14.3	32.8	24.0
501/421/A/½NPT	½NPT	11.0	14.3	32.8	24.0
501/421/B/M25	M25×1.5	9.5	15.4	33.8	36.0
501/421/B/M25/S	M25×1.5	13.0	20.2	33.8	36.0
501/421/B/¼NPT	¼NPT	9.5	15.4	33.8	36.0
501/421/B/¼NPT/S	¼NPT	13.0	20.2	33.8	36.0
501/421/B/1NPT	1NPT	9.5	15.4	33.8	36.0
501/421/B/1NPT/S	1NPT	13.0	20.4	33.8	36.0

TECHNICAL DATA

ATEX/IECEx

- Flameproof Exd IIC Gb, Increased Safety Exe IIC Gb and Dust Extb IIIC Db Ex II 2 GD .
- Certificate No's: Baseefa06ATEX0056X and IECEx BAS 06.0013X.
- Suitable for use in Zone 1, Zone 2, Zone 21, Zone 22.
- Construction and Test Standards: IEC/EN 60079-0, IEC/EN 60079-1, IEC/EN 60079-7 and IEC/EN 60079-31.
- Ingress Protection: IP66, IP67 and IP 68 (30 metres for 7 days) to IEC/EN 60529 and NEMA 4X.
- Operating Temperature Range: -60°C to +80°C.

cCSAus

- Flameproof AExd IIC Gb, Increased Safety AExe IIC Gb and Dust AExtD Zone 21.
- Explosion-proof Class 1 Division 2, Class II Division 2 Groups EFG, Class III.
- Certificate No's: CSA1015065 for Marine Shipboard Cable.
- Construction and Test Standards: UL 60079-0, UL 60079-1, UL 60079-7, ISA 60079-31, CSA 22.2 No: 60079-0, CSA 22.2 No: 60079-1, CSA 22.2 No: 60079-7, CSA 22.2 No: 60079-31, UL 2225

APPLICATION

Outdoor or Indoor use. For use with non-armoured elastomer plastic insulated cables.

FEATURES

Provides a cable retention seal onto the cable outer sheath.

When used in increased safety applications, this cable gland may be used with braided cable where the braid and cables outer sheath pass into the enclosure. The braid must be suitable terminated inside enclosure.

MATERIALS AND FINISHES

Standard with metric thread: brass or stainless steel; washer made from red fiber

Standard with NPT thread: brass nickel plated or stainless steel; without washer.