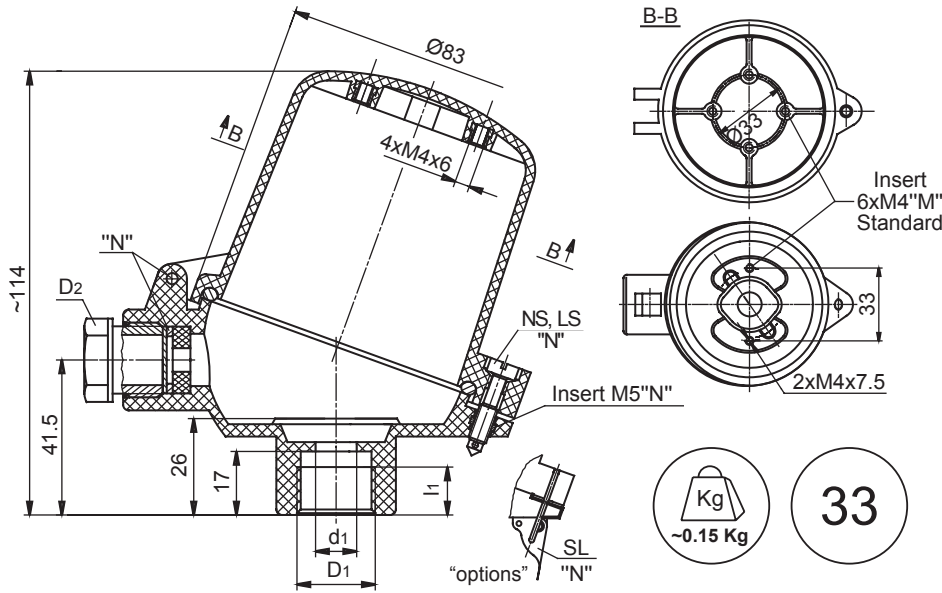


CONNECTION HEAD - type XI-DSNW



II 1G Ex ia IIC Ga
FTZU 12 ATEX 0202U

(1)	XI-DSNW	ORDERING CODE	SPECIFICATION
(2)	Material of elements	3	Metal parts - stainless steel; seals-oil resistant rubber (-40...100°C)
		4	Metal parts - stainless steel; seals - silicone rubber (-40...100°C)
(2)	Material of body, cover and press cap	PAV	Polyamide PA12 antistatic
(3)	Cable gland thread	M2	M20x1.5
		G2	G½
		N2	½NPT (empty thread only)
		P1	Pg16
(4)	Type of cable gland seal	A	Without notches
		B	With notches
		X	No gland, threaded hole only
(5)	Type of process thread D ₁ /d ₁		D₁[ø] d₁[ø] l₁
		1	M20x1.5 Ø11 17
		2	M24x1.5 Ø11 17
		3	G½ Ø11 17
(7)	Cover closure	4	½NPT - 19,5
		NS	Screws without leaden seal holes
		LS	Screws with leaden seal holes
		SL	Snap lock

Main features:

- material of body, cover and press cap:
- PAV - polyamide PA12 antistatic - black
- inside insert nut - brass
- service temperature:
T_{serv} = -40 to 100°C oil-proof rubber
T_{serv} = -40 to 100°C silicone rubber
- maximum space for transmitter:
Ø45x16mm, Ø60x40mm

Ordering example:

(1) (2) (2) (3) (4) (5) (7)
XI-DSNW 3 - PAV - M2 A - 2 - NS

EX HEADS

06