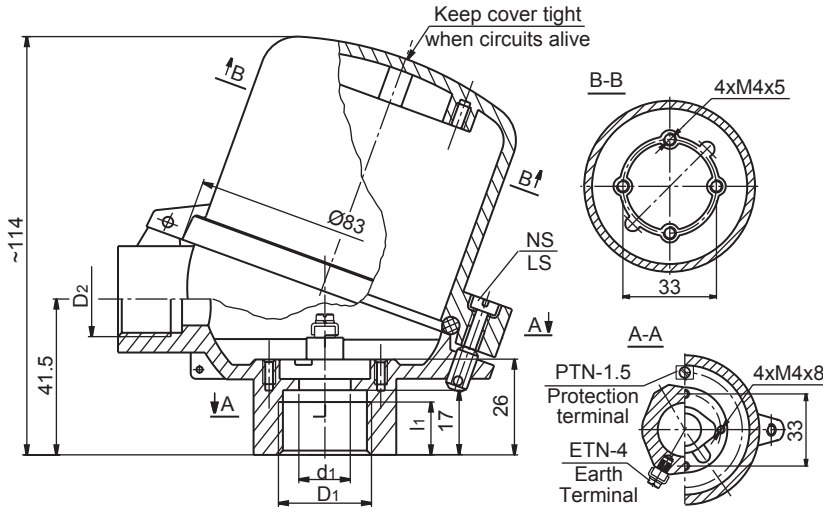


CONNECTION HEAD - type XE-DANAW



II 2G Ex eb IIC Gb



II 2D Ex tb IIIC Db

FTZU 03 ATEX 0073U

(1) XE-DANAW	ORDERING CODE	SPECIFICATION		
(2) Material of elements	3	other metal parts - stainless steel; seals-oil resistant rubber (-40...100°C)		
(3) Cable gland thread	M2 N2	M20x1.5 ½NPT (empty thread only)		
(5) Type of process thread D ₁ /d ₁		D₁ [ø]	d₁ [ø]	l₁
	5	M24x1.5	Ø14	17
	6	G¾	Ø11	17
	7	G½	Ø11	17
	8	G¾	Ø14	17
	9	½NPT	-	19,5
	10	¾NPT	-	19,5
	13	M20x1.5	Ø14	17
(7) Cover closure	NS	Screws without leaden seal holes		
	LS	Screws with leaden seal holes		
(8) Paint type	P	Polyester (~70 µm)		
	E	Epoxy (~70 µm)		
	C	Creodur - Rafil (~30 µm)		
	SE	Spray epoxy (~70 µm)		
	SPU	Spray polyurethane on (SE) layer (~120 µm)		
(9) Paint colour	al	alu natural colour (only Creodur - Rafil)		
	yc	RAL 1007 daffodil yellow		
	ys	RAL 1003 signal yellow		
	bs	RAL 5005 signal blue		
	sb	RAL 5015 sky blue		
	sg	RAL 7032 pebble grey		
	gr	RAL 7035 light grey		
	ag	RAL 9002 grey white		
	sh	RAL 9006 white aluminium		
	gs	RAL 9007 grey aluminium		
cw	RAL 9010 pure white			

Main features:

- material of body and cover - aluminium pressure die-castings, max 0.5%Mg
- service temperature: T_{serv} = -40+100°C
- maximum space for transmitter: Ø45x16mm, Ø60x40mm

Ordering example:

(1) (2) (3) (5) (7) (8) (9)
XE-DANAW 3 - M2 - 5 - NS - P sh