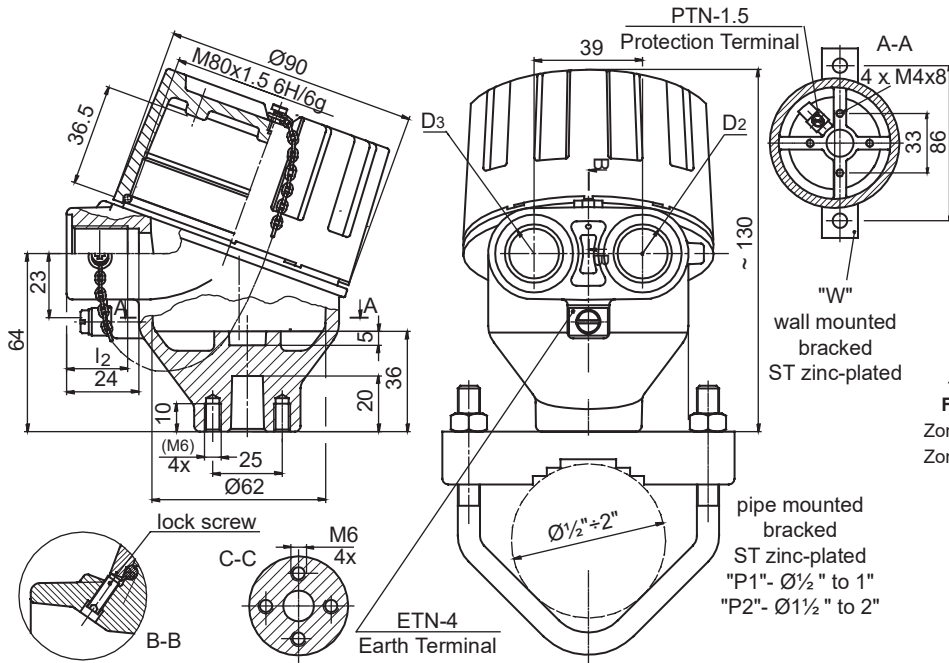


# CONNECTION HEAD - type XD-AHFH



**Flameproof**  
Zone 1, Zone 21  
Zone 2, Zone 22

**33**  
~0.80 Kg

FTZU 03 ATEX 0074U  
II 2 G Ex db II C Gb  
II 2D Ex tb IIIC Db



IECEX FTZU 14.0003U  
Ex db II C Gb  
Ex tb IIIC Db



(1)	<b>XD-ADHFH</b>	<b>ORDERING CODE</b>	<b>SPECIFICATION</b>
(2)	Material of elements	<b>4</b>	Metal parts - stainless steel; seals - silicone rubber
		<b>5</b>	Metal parts - stainless steel; seals - fluoroelastomer rubber
(3)	Cable gland thread D <sub>2</sub> /D <sub>3</sub> Please choose two variants of thread, separately for D <sub>2</sub> and D <sub>3</sub> For example: <b>XD-ADHFH-4-M2/CD...</b>	<b>M2</b>	M20x1.5 6H
		<b>G2</b>	G½; BSP½ (without cert.)
		<b>G3</b>	G¾; BSP¾ (without cert.)
		<b>G4</b>	G1; BSP1 (without cert.)
		<b>N2</b>	½NPTmod - modified ac. to OIT-17/03
		<b>N3</b>	¾NPTmod - modified ac. to OIT-17/03
	<b>CD</b>	CD = closed (D <sub>3</sub> only)	
(8)	Paint type	<b>C</b>	Creodur - Rafil (~30 µm)
		<b>SE</b>	Spray epoxy (~70 µm)
		<b>SPU</b>	Spray polyurethane on (SE) layer (~120 µm)
(9)	Paint colour	<b>al</b>	alu natural colour (only Creodur - Rafil)
		<b>yc</b>	RAL 1007 daffodil yellow
		<b>ys</b>	RAL 1003 signal yellow
		<b>bs</b>	RAL 5005 signal blue
		<b>sb</b>	RAL 5015 sky blue
		<b>sg</b>	RAL 7032 pebble grey
		<b>gr</b>	RAL 7035 light grey
		<b>ag</b>	RAL 9002 grey white
		<b>sh</b>	RAL 9006 white aluminium
<b>gs</b>	RAL 9007 grey aluminium		
<b>cw</b>	RAL 9010 pure white		
(10)	Bracket type	<b>W</b>	Fixing on a wall
		<b>P</b>	Fixing on a pipe
		<b>X</b>	Without bracket

## Main features:

- material of body and cover - aluminium pressure die-castings, max 0.5%Mg
- service temperature:  
T<sub>serv</sub> = -50÷150°C - silicone rubber  
T<sub>serv</sub> = -20÷200°C - fluoroelastomer rubber
- maximum space for transmitter: Ø52x30mm
- coating: yellow chromating (optionally) and chemically resistant paint (outside only)

Material: aluminium EN AC 44200mod or EN AC 46000.

**EN AC 46000** - the kind of material meets the requirements for use in potentially explosive areas.

**EN AC 44200mod** - the kind of material meets the requirements for use in potentially explosive areas. In addition, it is characterized by increased strength (pressure) parameters, while at the same time shows reduced copper (Cu) concentration.

Caution:  
The type EN AC 44200mod - available for certified products ATEX, IECEx, FM and CSA.  
The type EN AC 46000 - available only for certified products ATEX and IECEx.

## Ordering example:

(1) (2) (3) (8) (9) (10)  
**XD-AHFH 4 - M2/CD - SE sh + W**