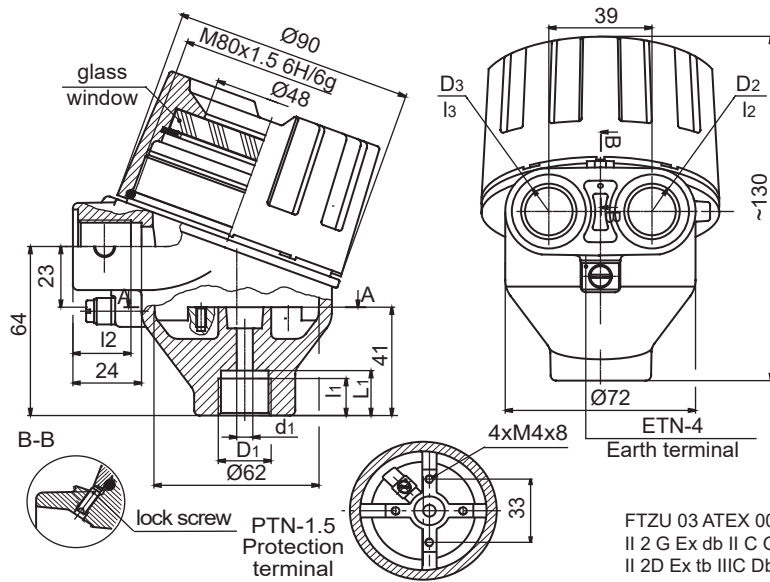


# CONNECTION HEAD - type XD-ADwin



**Flameproof**  
Zone 1, Zone 21  
Zone 2, Zone 22



FTZU 03 ATEX 0074U  
II 2 G Ex db II C Gb  
II 2D Ex tb IIIC Db



IECEx FTZU 14.0003U  
Ex db II C Gb  
Ex tb IIIC Db



(1)	XD-ADwin	ORDERING CODE	SPECIFICATION
(2)	Material of elements	4	Metal parts - stainless steel; seals - silicone rubber
		5	Metal parts - stainless steel; seals - fluoroelastomer rubber
(3)	Cable gland thread D <sub>2</sub> /D <sub>3</sub> Please choose two variants of thread, separately for D <sub>2</sub> and D <sub>3</sub> For example: XD-ADwin-4-M2/CD...	M2	M20x1.5 6H
		G2	G½; BSP½ (without cert.)
		G3	G¾; BSP¾ (without cert.)
		G4	G¾; BSP¾ (without cert.)
		N2	½NPTmod - modified ac. to OIT-17/03
		N3	¾NPTmod - modified ac. to OIT-17/03
		CD	CD = closed (D <sub>3</sub> only)
(4)	Type of process thread D <sub>1</sub>	M2	M20x1.5 6H
		M24	M24x1.5 6H
		M27	M27x2 6H
		G2	G½; BSP½ *
		G3	G¾; BSP¾ *
		G4	G¾; BSP¾ *
		N3	¾NPTmod - modified ac. to OIT-17/03
(5)	Symbol of hole d <sub>1</sub> diameter	6	Ø6 <sup>+0.04</sup> <sub>-0.05</sub>
		6.1	Ø6.1 H8
		8	Ø8 <sup>+0.1</sup> <sub>+0.02</sub>
		8.1	Ø8.1 H8
		9.6	Ø9.6 H8
		10	Ø10 <sup>+0.1</sup> <sub>+0.02</sub>
		10.1	Ø10.1 H7
		12.8	Ø12.8 H7
		13	Ø13 (non flameproof)
		15.1	Ø15.1 H7
		M16	M16x1.5 6H
			or other hole on request (non flameproof)
(8)	Paint type	C	Creodur - Rafil (~30 µm)
		SE	Spray epoxy (~70 µm)
		SPU	Spray polyurethane on (SE) layer (~120 µm)
(9)	Paint colour	al	alu natural colour (only Creodur - Rafil)
		yc	RAL 1007 daffodil yellow
		ys	RAL 1003 signal yellow
		bs	RAL 5005 signal blue
		sb	RAL 5015 sky blue
		sg	RAL 7032 pebble grey
		gr	RAL 7035 light grey
		ag	RAL 9002 grey white
		sh	RAL 9006 white aluminium
		gs	RAL 9007 grey aluminium
		cw	RAL 9010 pure white

## Main features:

- material of body and cover - aluminium pressure die-castings, max 0.5%Mg
- service temperature:  
T<sub>serv</sub> = -50+85°C - silicone rubber  
T<sub>serv</sub> = -20+85°C - fluoroelastomer rubber
- maximum space for transmitter: Ø52x30mm
- coating: yellow chromating (optionally) and chemically resistant paint (outside only)

Material: aluminium EN AC 44200mod or EN AC 46000.

**EN AC 46000** - the kind of material meets the requirements for use in potentially explosive areas.

**EN AC 44200mod** - the kind of material meets the requirements for use in potentially explosive areas.  
In addition, it is characterized by increased strength (pressure) parameters, while at the same time shows reduced copper (Cu) concentration.

Caution:  
The type EN AC 44200mod - available for certified products ATEX, IECEx, FM and CSA.  
The type EN AC 46000 - available only for certified products ATEX and IECEx.

## Ordering example:

(1) (2) (3) (4) (5) (8) (9)  
XD-ADwin 4 - M2/CD - M24/8.1 - SE sh

\* in this case hole d<sub>1</sub> must be flameproof (for arrange flameproof joint with sensor measuring insert). Flameproof possible only for gas.  
For Ex tb - dust (for thread D<sub>1</sub>) require certification of the complete equipment.

EX HEADS

06