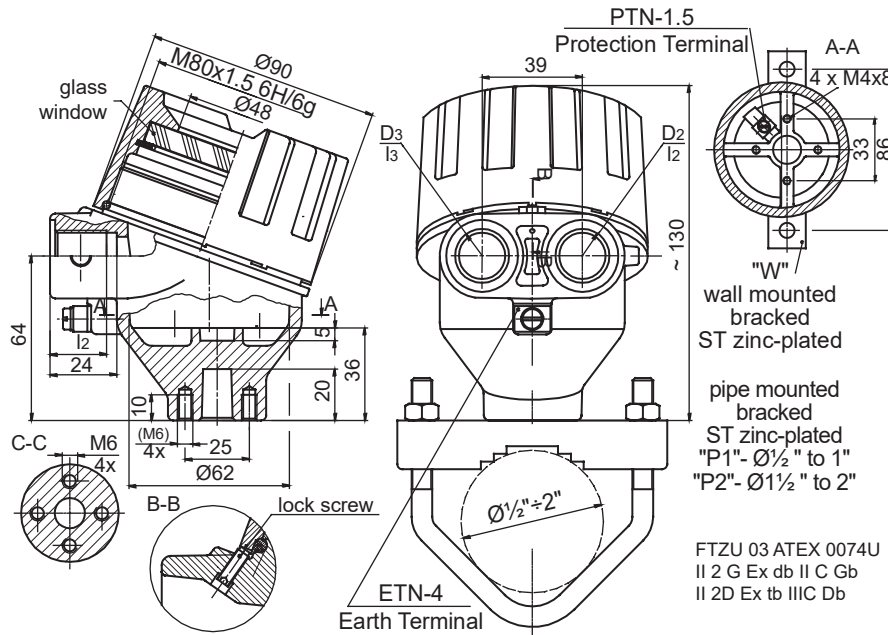


CONNECTION HEAD - type XD-AHFwin



Flameproof
Zone 1, Zone 21
Zone 2, Zone 22

wall mounted
bracketed
ST zinc-plated

pipe mounted
bracketed
ST zinc-plated
"P1" - Ø1½" to 1"
"P2" - Ø1½" to 2"

FTZU 03 ATEX 0074U
II 2 G Ex db II C Gb
II 2D Ex tb IIIC Db

IECEX FTZU 14.0003U
Ex db II C Gb
Ex tb IIIC Db



(1) XD-AHFwin	ORDERING CODE	SPECIFICATION
(2) Material of elements	4	Metal parts - stainless steel; seals - silicone rubber
	5	Metal parts - stainless steel; seals - fluoroelastomer rubber
(3) Cable gland thread D ₂ /D ₃ Please choose two variants of thread, separately for D ₂ and D ₃ For example: XD-AHFwin-4-M2/CD..	M2	M20x1.5 6H
	G2	G½; BSP½ (without cert.)
	G3	G¾; BSP¾ (without cert.)
	G4	G¾; BSP¾ (without cert.)
	N2	½NPTmod - modified ac. to OIT-17/03
N3	¾NPTmod - modified ac. to OIT-17/03	
CD	CD = closed (D ₃ only)	

(8) Paint type	C	Creodur - Rafil (~30 µm)
	SE	Spray epoxy (~70 µm)
	SPU	Spray polyurethane on (SE) layer (~120 µm)
(9) Paint colour	al	alu natural colour (only Creodur - Rafil)
	yc	RAL 1007 daffodil yellow
	ys	RAL 1003 signal yellow
	bs	RAL 5005 signal blue
	sb	RAL 5015 sky blue
	sg	RAL 7032 pebble grey
	gr	RAL 7035 light grey
	ag	RAL 9002 grey white
	sh	RAL 9006 white aluminium
	gs	RAL 9007 grey aluminium
cw	RAL 9010 pure white	
(10) Bracket type	W	Fixing on a wall
	P	Fixing on a pipe
	X	Without bracket

Main features:

- material of body and cover - aluminium pressure die-castings, max 0.5%Mg
- service temperature:
T_{serv} = -50+85°C - silicone rubber
T_{serv} = -20+85°C - fluoroelastomer rubber
- maximum space for transmitter: Ø52x30mm
- coating: yellow chromating (optionally) and chemically resistant paint (outside only)

Material: aluminium EN AC 44200mod or EN AC 46000.

EN AC 46000 - the kind of material meets the requirements for use in potentially explosive areas.

EN AC 44200mod - the kind of material meets the requirements for use in potentially explosive areas. In addition, it is characterized by increased strength (pressure) parameters, while at the same time shows reduced copper (Cu) concentration.

Caution:
The type EN AC 44200mod - available for certified products ATEX, IECEX, FM and CSA.
The type EN AC 46000 - available only for certified products ATEX and IECEX.

Ordering example:

(1) XD-AHFwin (2) 4 (3) M2/CD (8) SE (9) sh (10) W