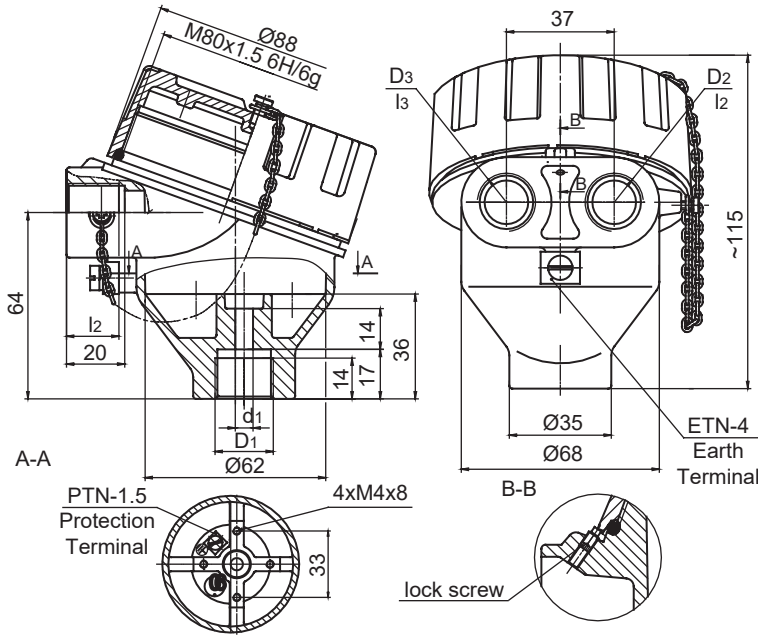


# CONNECTION HEAD - type XD-SH



**Flameproof**  
Zone 1, Zone 21  
Zone 2, Zone 22



FTZU 14 ATEX 0004U  
I M2 Ex db IMb  
II 2 G Ex db II C Gb  
II 2D Ex tb IIIC Db



IECEx FTZU 17.0008U  
Ex db IMb  
Ex db II C Gb  
Ex tb IIIC Db



EX HEADS

06

(1)	XD-SH	ORDERING CODE	SPECIFICATION
(2)	Material of elements	4	Metal parts - stainless steel; seals - silicone rubber
		5	Metal parts - stainless steel; seals - fluoroelastomer rubber
(3)	Cable gland thread D <sub>2</sub> /D <sub>3</sub> Please choose two variants of thread, separately for D <sub>2</sub> and D <sub>3</sub> For example: XD-SH-4-M2/CD...	M2	M20x1.5 6H
		G2	G <sup>3</sup> / <sub>2</sub> ; BSP <sup>3</sup> / <sub>2</sub> (without cert.)
		G3	G <sup>3</sup> / <sub>4</sub> ; BSP <sup>3</sup> / <sub>4</sub> (without cert.)
		G4	G <sup>3</sup> / <sub>8</sub> ; BSP <sup>3</sup> / <sub>8</sub> (without cert.)
		N2	½NPTmod - modified ac. to OIT-17/03
		N3	¾NPTmod - modified ac. to OIT-17/03
		CD	CD = closed (D <sub>3</sub> only)
(4)	Type of process thread D <sub>1</sub>	M2	M20x1.5 6H
		M24	M24x1.5 6H
		M27	M27x2 6H
		G2	G <sup>3</sup> / <sub>2</sub> ; BSP <sup>3</sup> / <sub>2</sub> *
		G3	G <sup>3</sup> / <sub>4</sub> ; BSP <sup>3</sup> / <sub>4</sub> *
		G4	G <sup>3</sup> / <sub>8</sub> ; BSP <sup>3</sup> / <sub>8</sub> *
		N2	½NPTmod - modified ac. to OIT-17/03
N3	¾NPTmod - modified ac. to OIT-17/03		
(5)	Symbol of hole d, diameter	6	Ø6 <sup>+0.04</sup> <sub>-0.05</sub>
		6.1	Ø6.1 H8
		8	Ø8 <sup>+0.1</sup> <sub>+0.02</sub>
		8.1	Ø8.1 H8
		9.6	Ø9.6 H8
		10	Ø10 <sup>+0.1</sup> <sub>+0.02</sub>
		10.1	Ø10.1 H7
		12.8	Ø12.8 H7
		13	Ø13 (non flameproof)
		15.1	Ø15.1 H7
		M16	M16x1.5 6H
			or other hole on request (non flameproof)

## Main features:

- material of body and cover: stainless steel DIN 1.4401, AISI 316
- service temperature:  
T<sub>serv</sub> = -50+150°C - silicone rubber  
T<sub>serv</sub> = -20 to 200°C - fluoroelastomer rubber
- maximum space for transmitter: Ø58x40mm

## Ordering example:

(1) (2) (3) (4) (5)  
XD-SH 4 - M2/CD - M24/8.1

\* in this case hole d1 must be flameproof (for arrange flameproof joint with sensor measuring insert). Flameproof possible only for gas. For Ex tb - dust (for thread D1) require certification of the complete equipment.