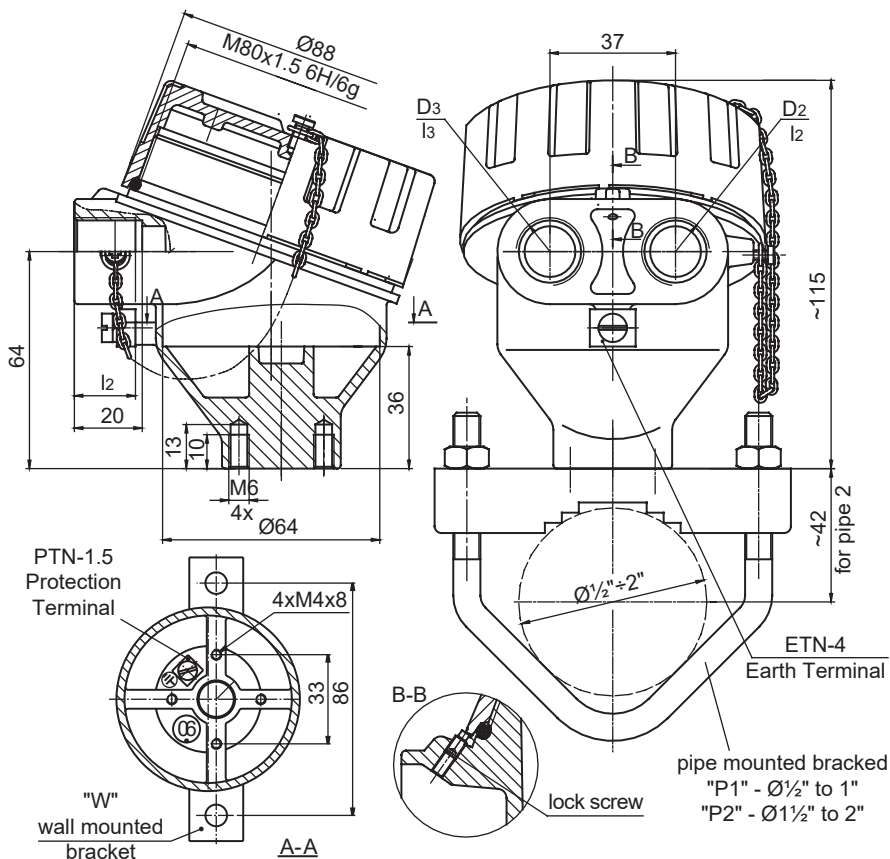


CONNECTION HEAD - type XD-SDF



Flameproof
Zone 1, Zone 21
Zone 2, Zone 22



FTZU 14 ATEX 0004U
I M2 Ex db IMb
II 2 G Ex db II C Gb
II 2D Ex tb IIIC Db



IECEx FTZU 17.0008U
Ex db IMb
Ex db II C Gb
Ex tb IIIC Db

EX HEADS

06

(1)	XD-SDF	ORDERING CODE	SPECIFICATION
(2)	Material of elements	4	Metal parts - stainless steel; seals - silicone rubber
		5	Metal parts - stainless steel; seals - fluoroelastomer rubber
(3)	Cable gland thread D ₂ /D ₃ Please choose two variants of thread, separately for D ₂ and D ₃ For example: XD-SDF-4-M2/CD...	M2	M20x1.5 6H
		G2	G½; BSP½ (without cert.)
		G3	G¾; BSP¾ (without cert.)
		G4	G¾; BSP¾ (without cert.)
		N2	½NPTmod - modified ac. to OIT-17/03
	N3	¾NPTmod - modified ac. to OIT-17/03	
	CD	CD = closed (D ₃ only)	
(10)	Bracket type	W	Fixing on a wall
		P	Fixing on a pipe
		X	Without bracket

Main features:

- material of body and cover: stainless steel DIN 1.4401, AISI 316
- service temperature:
T_{serv} = -50+150°C - silicone rubber
T_{serv} = -20 to 200°C - fluoroelastomer rubber
- maximum space for transmitter: Ø58×35mm

Ordering example:

(1) (2) (3) (10)
XD-SDF 4 - M2/CD + W