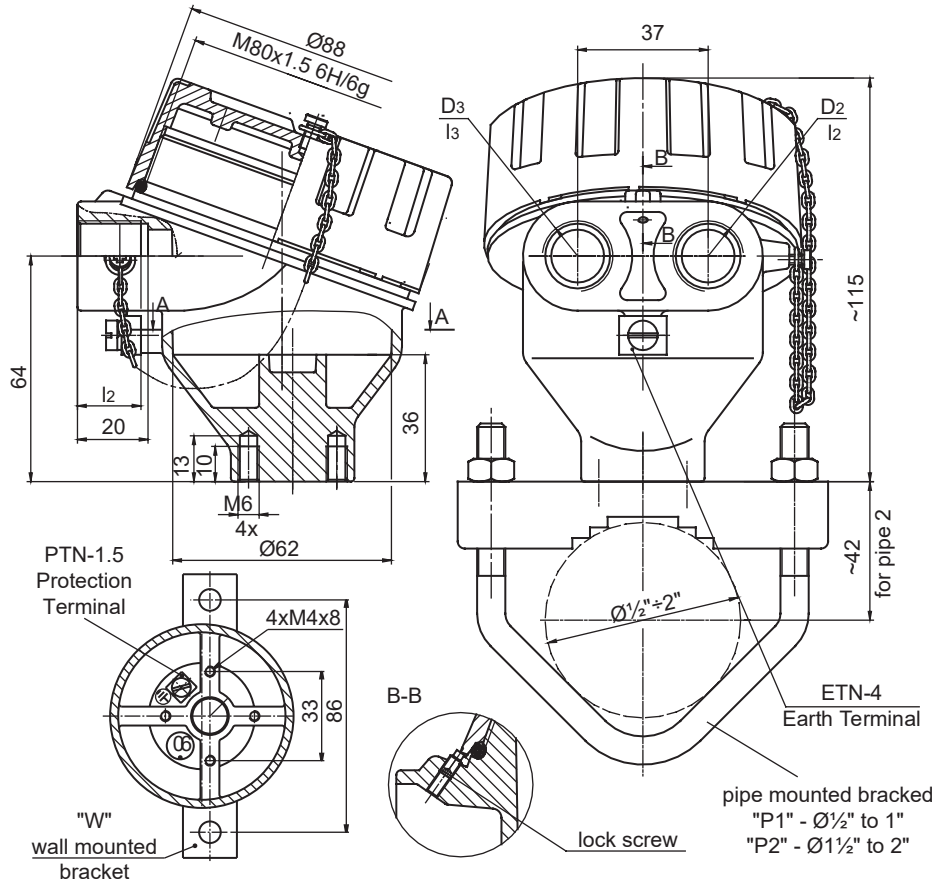


# CONNECTION HEAD - type XD-SHF



**Flameproof**  
Zone 1, Zone 21  
Zone 2, Zone 22



EX HEADS

06

FTZU 14 ATEX 0004U  
I M2 Ex db IMb  
II 2 G Ex db II C Gb  
II 2D Ex tb IIIC Db



IECEx FTZU 17.0008U  
Ex db IMb  
Ex db II C Gb  
Ex tb IIIC Db



(1)	<b>XD-SHF</b>	<b>ORDERING CODE</b>	<b>SPECIFICATION</b>
(2)	Material of elements	4	Metal parts - stainless steel; seals - silicone rubber
		5	Metal parts - stainless steel; seals - fluoroelastomer rubber
(3)	Cable gland thread D <sub>2</sub> /D <sub>3</sub> Please choose two variants of thread, separately for D <sub>2</sub> and D <sub>3</sub> For example: XD-SHF-4-M2/CD...	M2	M20x1.5 6H
		G2	G½; BSP½ (without cert.)
		G3	G¾; BSP¾ (without cert.)
		G4	G¾; BSP¾ (without cert.)
		N2	½NPTmod - modified ac. to OIT-17/03
		N3	¾NPTmod - modified ac. to OIT-17/03
		CD	CD = closed (D <sub>3</sub> only)
(10)	Bracket type	W	Fixing on a wall
		P	Fixing on a pipe
		X	Without bracket

## Main features:

- material of body and cover: stainless steel DIN 1.4401, AISI 316
- service temperature:  
T<sub>serv</sub> = -50÷150°C - silicone rubber  
T<sub>serv</sub> = -20 to 200°C - fluoroelastomer rubber
- maximum space for transmitter: Ø58×35mm

## Ordering example:

(1) (2) (3) (10)  
XD-SHF 4 - M2/CD + W