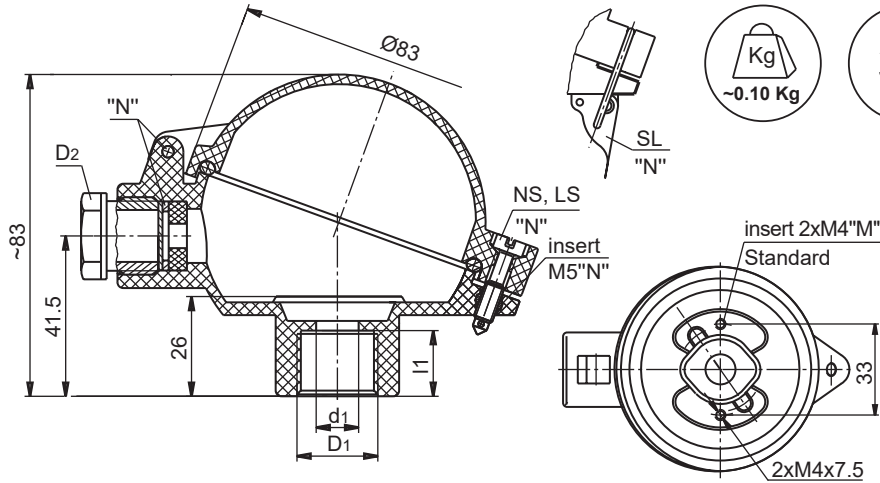


CONNECTION HEAD - type DSN - FDA



(1)	DSN	ORDERING CODE	SPECIFICATION		
(2)	Material of elements	4	Metal parts - stainless steel; seals - silicone rubber (-40÷120°C)		
(2)	Material of body and cover	PP	Polypropylene		
(3)	Cable gland thread D ₂	M2	M20x1.5		
		G2	G½		
		N2	½NPT (empty thread only)		
		P1	Pg16		
(4)	Type of cable gland seal	A	Without notches		
		B	With notches		
		X	No gland, threaded hole only		
(5)	Type of process thread D ₁ /d ₁		D₁ [Ø]	d₁ [Ø]	l₁
		1	M20x1.5	Ø11	17
		2	M24x1.5	Ø11	17
		3	G½	Ø11	17
(7)	Cover closure	NS	Screws without leaden seal holes		
		LS	Screws with leaden seal holes		

Main features:

- material of body, cover and press cap:
- PP - polypropylene - white
- temperature range:
- -40÷120°C - silicone rubber
- cable gland washer - stainless steel
- inside insert nut - stainless steel
- maximum space for transmitter: Ø45x40mm

Product contacting materials
compliant to FDA standards

Ordering example:

(1) (2) (2) (3) (4) (5) (7)
DSN 4 - PP - M2 A - 2 - NS