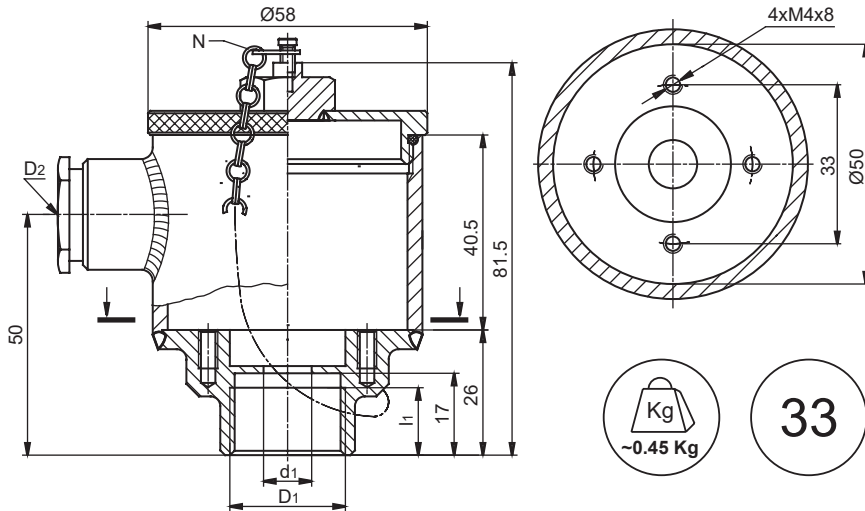


CONNECTION HEAD - type BEC



STAINLESS
STEEL HEADS

03

(1)	BEC	ORDERING CODE	SPECIFICATION		
(2)	Material of elements	3	Metal parts - stainless steel; seals-oil resistant rubber (-40...100°C)		
		4	Metal parts - stainless steel; seals - silicone rubber (-40...150°C)		
(3)	Cable gland thread D ₂	M2	M20x1.5		
(4)	Type of cable gland seal	A	Without notches		
		B	With notches		
		X	No gland, threaded hole only		
(5)	Type of process thread D ₁		D ₁ [ø]	d ₁ [ø]	l ₁
		1	M24x1.5	Ø14	14
		2	G½	Ø12	14

Main features:

- material of body and cover - stainless steel made by casting 1.4401
- temperature range:
-40÷100°C - oil - proof rubber
-40÷150°C - silicone rubber
- maximum space for transmitter: Ø45x20mm
- coating - non existing

Standard executions:

BEC3-M2A-1

Ordering example:

(1) (2) (3) (4) (5)
BEC 3 - M2 A - 2