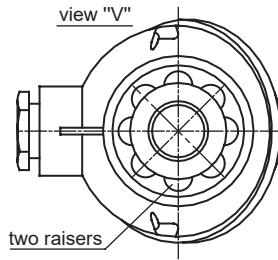


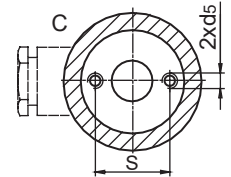
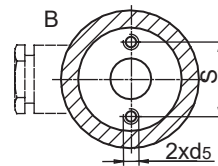
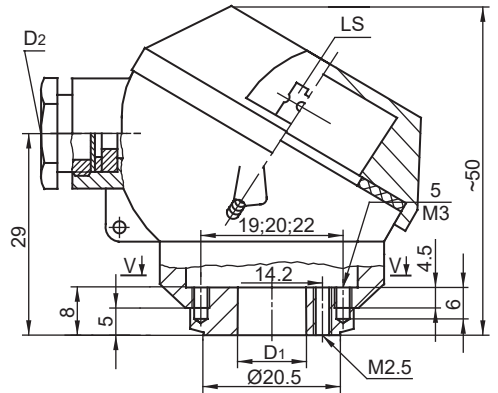
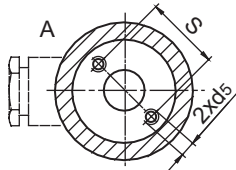
# CONNECTION HEAD - type MAA version I

STANDARD  
ALUMINIUM HEADS

01



Mounting screw patterns



(1)	MAA	ORDERING CODE	SPECIFICATION		
(2)	Material of elements	1	Metal parts - nickel - plated brass; seals-oil resistant rubber (-40...100°C)		
		2	Metal parts - nickel - plated brass; seals - silicone rubber (-40...150°C)		
		3	Cable gland - nickel - plated brass; other metal parts - stainless steel; seals-oil resistant rubber (-40...100°C)		
		4	Cable gland - nickel - plated brass; other metal parts - stainless steel; seals - silicone rubber (-40...150°C)		
(3)	Cable gland thread D <sub>2</sub>	M1	M16x1.5		
		N1	1/4"NPT		
		P0	Pg9		
(4)	Type of cable gland seal	A	Without notches		
		B	With notches		
		X	No gland, threaded hole only		
(5)	Type of process thread D <sub>1</sub> /d <sub>1</sub>		<b>D<sub>1</sub>[ø]</b>	<b>d<sub>5</sub>[ø]</b>	<b>S</b>
		1	Ø11.3	M2.5	14.2/A
		2	Ø11.3	M2.5x4.5	22/C
		3	M8	M2.5x4.5	19/B
		4	M10x1	M2.5	14.2/A
		5	M10x1	M2.5	14.2/B
		6	M10x1	M2.5x4.5	19/A
		7	M10x1	M2.5x4.5	19/B
		8	M10x1	M2.5x4.5	19/C
		9	M10x1	M3x4.5	20/B
		10	M10x1	M2.5x4.5	22/A
		11	M10x1	M2.5x4.5	22/C
		12	M12x1	M2.5x4.5	19/A
		13	M12x1	M3x4.5	20/B
		14	G 1/2	M2.5	14.2/A
		15	G 1/2	M2.5x4.5	19/C
		16	G 3/4	M3x4.5	20/B
		17	G 1/4	M2.5x4.5	19/A
		18	G 1/4	M3x4.5	20/B
		19	1/8"NPT	M2.5	14.2/A
		20	1/8"NPT	M3x4.5	20/B
21	1/4"NPT	M3x4.5	20/B		
(6)	Side screw	x	No side screw		
(8)	Paint type	P	Polyester (~70 µm)		
		E	Epoxy (~70 µm)		
		C	Creodur - Rafil (~30 µm)		
(9)	Paint colour	al	alu natural colour (only Creodur - Rafil)		
		yc	RAL 1007 daffodil yellow		
		ys	RAL 1003 signal yellow		
		bs	RAL 5005 signal blue		
		sb	RAL 5015 sky blue		
		sg	RAL 7032 pebble grey		
		gr	RAL 7035 light grey		
		ag	RAL 9002 grey white		
		sh	RAL 9006 white aluminium		
		gs	RAL 9007 grey aluminium		
		cw	RAL 9010 pure white		

## Main features:

- material of body and cover - aluminium pressure die-castings
- cable gland washer - zinc-plated press steel
- temperature range:  
-40÷100°C - oil-proof rubber  
-40÷150°C - silicone rubber
- maximum space for transmitter: Ø25x20mm

## Standard executions:

MAA1-M1B-7x-Cal  
MAA1-M1A-17x-Psh

## Ordering example:

(1) (2) (3) (4) (5) (6) (8) (9)  
MAA 1 - M1 A - 17 x - P sh

Please mark in the order if springing loaded terminal blocks or springing disk will be installed inside the connection head.