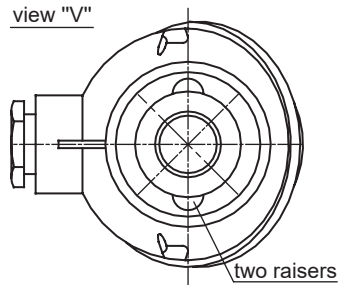
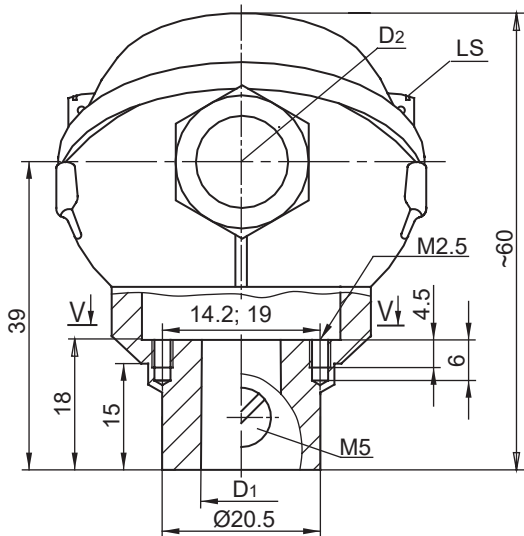
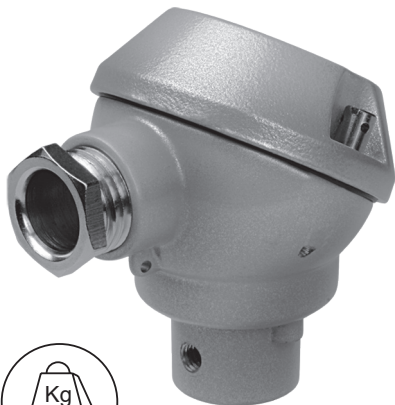


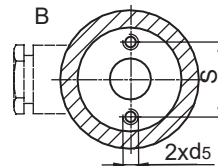
CONNECTION HEAD - type MAA version III

STANDARD ALUMINIUM HEADS

01



Mounting screw patterns



(1) MAA	ORDERING CODE	SPECIFICATION			
(2) Material of elements	1	Metal parts - nickel - plated brass; seals-oil resistant rubber (-40...100°C)			
	2	Metal parts - nickel plated brass; seals - silicone rubber (-40...150°C)			
	3	Cable gland - nickel - plated brass; other metal parts - stainless steel; seals - oil resistant rubber (-40...100°C)			
	4	Cable gland - nickel - plated brass; other metal parts - stainless steel; seals - silicone rubber (-40...150°C)			
(3) Cable gland thread D ₂	M1	M16x1.5			
	N1	1/4NPT			
	P0	Pg9			
(4) Type of cable gland seal	A	Without notches			
	B	With notches			
	X	No gland, threaded hole only			
(5) Type of process thread D ₁ /d ₁		D₁ [ø]	d₁ [ø]	d₅ [ø]	S
	27	Ø6.1	-	M2.5X4.5	14.2/B
	28	Ø6.1	-	M2.5X4.5	19/B
	29	Ø10.1	-	M2.5X4.5	19/B
(6) Side screw	a	Pan head screw made of steel			
	e	Pan head screw made of stainless steel			
(8) Paint type	P	Polyester (~70 µm)			
	E	Epoxy (~70 µm)			
	C	Creodur - Rafil (~30 µm)			
(9) Paint colour	al	alu natural colour (only Creodur - Rafil)			
	yc	RAL 1007 daffodil yellow			
	ys	RAL 1003 signal yellow			
	bs	RAL 5005 signal blue			
	sb	RAL 5015 sky blue			
	sg	RAL 7032 pebble grey			
	gr	RAL 7035 light grey			
	ag	RAL 9002 grey white			
	sh	RAL 9006 white aluminium			
	gs	RAL 9007 grey aluminium			
cw	RAL 9010 pure white				

Main features:

- material of body and cover - aluminium pressure die-castings
- cable gland washer - zinc-plated press steel
- temperature range: -40÷100°C - oil-proof rubber -40÷150°C - silicone rubber
- maximum space for transmitter: Ø25x20mm

Ordering example:

(1) (2) (3) (4) (5) (6) (8) (9)
MAA 1 - M1 A - 17 x - P sh

Please mark in the order if spring loaded terminal blocks or springing disk will be installed inside the connection head.