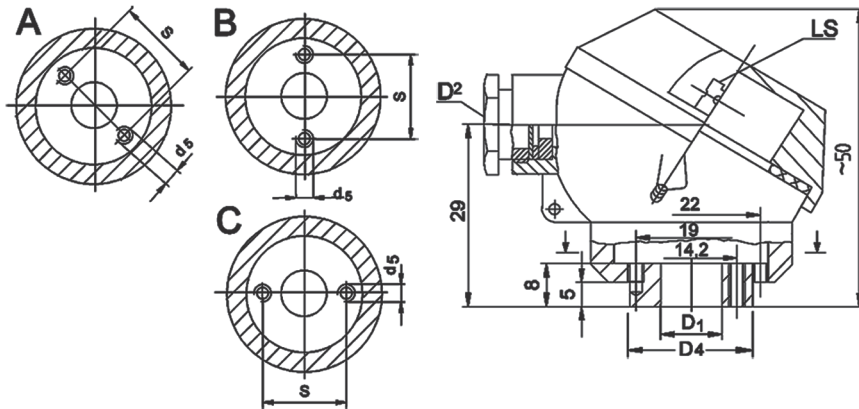


CONNECTION HEAD - type MA version I



(1)	MA	ORDERING CODE	SPECIFICATION
(2)	Material of elements	1	Metal parts - nickel plated brass; seals - oil resistant rubber (-40...100°C)
		2	Metal parts - nickel plated brass; seals - silicone rubber (-40...150°C)
		3	Cable gland - nickel plated brass; other metal parts - stainless steel; seals - oil resistant rubber (-40...100°C)
		4	Cable gland - nickel - plated brass; other metal parts - stainless steel; seals - silicone rubber (-40...150°C)
(3)	Cable gland thread D ₂	M1	M16x1.5
		N1	1/4NPT (empty thread only)
		PO	Pg9
(4)	Type of cable gland seal	A	Without notches
		B	With notches
		X	No gland, threaded hole only
(5)	Type of process thread D ₁ /d ₁		D₁ D₄ [mm] d₅ S
		1	Ø11,3 Ø20,5 M2,5 14.2/A
		2	Ø11,3 Ø20,5 M2,5 22/C
		3	M8 Ø20,5 M2,5 19/B
		4	M10x1 Ø20,5 M2,5 14.2/A
		5	M10x1 Ø20,5 M2,5 14.2/B
		6	M10x1 Ø20,5 M2,5x4,5 19/A
		7	M10x1 Ø20,5 M2,5x4,5 19/B
		8	M10x1 Ø20,5 M2,5x4,5 19/C
		9	M10x1 Ø20,5 M2,5x4,5 20/B
		10	M10x1 Ø20,5 M2,5x4,5 22/A
		11	M10x1 Ø20,5 M2,5x4,5 22/C
		12	M12x1 Ø20,5 M2,5x4,5 19/A
		13	M12x1 Ø20,5 M2,5x4,5 20/B
		14	G1/8 Ø20,5 M2,5 14.2/A
		15	G1/8 Ø20,5 M2,5x4,5 19/C
		16	G1/8 Ø20,5 M2,5x4,5 20/B
		17	G1/4 Ø20,5 M2,5x4,5 19/A
		18	G1/4 Ø20,5 M2,5x4,5 20/B
		19	1/8NPT Ø20,5 M2,5 14.2/A
		20	1/8NPT Ø20,5 M2,5x4,5 20/B
21	1/4NPT Ø20,5 M2,5x4,5 20/B		
30	M10x1 Ø16 M2,5 19/B		
31	G1/8 Ø16 M2,5 19/C		
(6)	Side screw	x	No side screw
(8)	Paint type	P	Polyester (~70 µm)
		E	Epoxy (~70 µm)
		C	Creodur - Rafil (~30 µm)
(9)	Paint colour	al	alu natural colour (only Creodur - Rafil)
		yc	RAL 1007 daffodil yellow
		ys	RAL 1003 signal yellow
		bs	RAL 5005 signal blue
		sb	RAL 5015 sky blue
		sg	RAL 7032 pebble grey
		gr	RAL 7035 light grey
		ag	RAL 9002 grey white
		sh	RAL 9006 white aluminium
		gs	RAL 9007 grey aluminium
		cw	RAL 9010 pure white

Main features:

- material of body and cover - aluminium pressure die-castings
- cable gland washer - zinc plated press steel
- temperature range: -40÷100°C - oil-proof rubber -40÷150°C - silicone rubber
- maximum space for transmitter: Ø25x20mm

Ordering example:

(1) (2) (3) (4) (5) (6) (8) (9)
MA 1 M1 - A 17 x - P sh

Please mark in the order if springing loaded terminal blocks or springing disk will be installed inside the connection head.