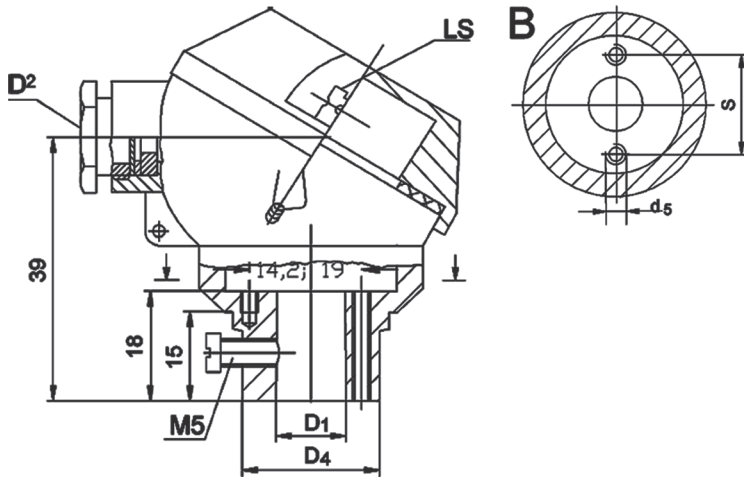


# CONNECTION HEAD - type MA version III



STANDARD ALUMINIUM HEADS

01



(1)	MA	ORDERING CODE	SPECIFICATION			
(2)	Material of elements	1	Metal parts - nickel plated brass; seals-oil resistant rubber (-40...100°C)			
		2	Metal parts - nickel plated brass; seals - silicone rubber (-40...150°C)			
		3	Cable gland - nickel - plated brass; other metal parts - stainless steel; seals - oil resistant rubber (-40...100°C)			
		4	Cable gland - nickel - plated brass; other metal parts - stainless steel; seals - silicone rubber (-40...150°C)			
(3)	Cable gland thread D <sub>2</sub>	M1	M16x1.5			
		N1	¼NPT			
		PO	Pg9			
(4)	Type of cable gland seal	A	Without notches			
		B	With notches			
		X	No gland, threaded hole only			
(5)	Type of process thread D <sub>1</sub> /d <sub>1</sub>		<b>D<sub>1</sub></b>	<b>D<sub>1</sub> [Ø]</b>	<b>d<sub>5</sub></b>	<b>S</b>
		27	Ø6.1	-	M2.5X4.5	14.2/B
		28	Ø6.1	-	M2.5X4.5	19/B
		29	Ø10.1	-	M2.5X4.5	19/B
(6)	Side screw	a	Pan head screw made of steel			
		e	Pan head screw made of stainless steel			
(8)	Paint type	P	Polyester (~70 µm)			
		E	Epoxy (~70 µm)			
		C	Creodur - Rafil (~30 µm)			
(9)	Paint colour	al	alu natural colour (only Creodur - Rafil)			
		yc	RAL 1007 daffodil yellow			
		ys	RAL 1003 signal yellow			
		bs	RAL 5005 signal blue			
		sb	RAL 5015 sky blue			
		sg	RAL 7032 pebble grey			
		gr	RAL 7035 light grey			
		ag	RAL 9002 grey white			
		sh	RAL 9006 white aluminium			
		gs	RAL 9007 grey aluminium			
		cw	RAL 9010 pure white			

## Main features:

- material of body and cover - aluminium pressure die-castings
- cable gland washer - zinc plated press steel
- temperature range:  
-40+100°C - oil-proof rubber  
-40+150°C - silicone rubber
- maximum space for transmitter: Ø25x20mm

## Ordering example:

(1) (2) (4) (4) (5) (6) (8) (9)  
MA 1 M1 A - 27 x - P sh

Please mark in the order if springing loaded terminal blocks or springing disk will be installed inside the connection head.