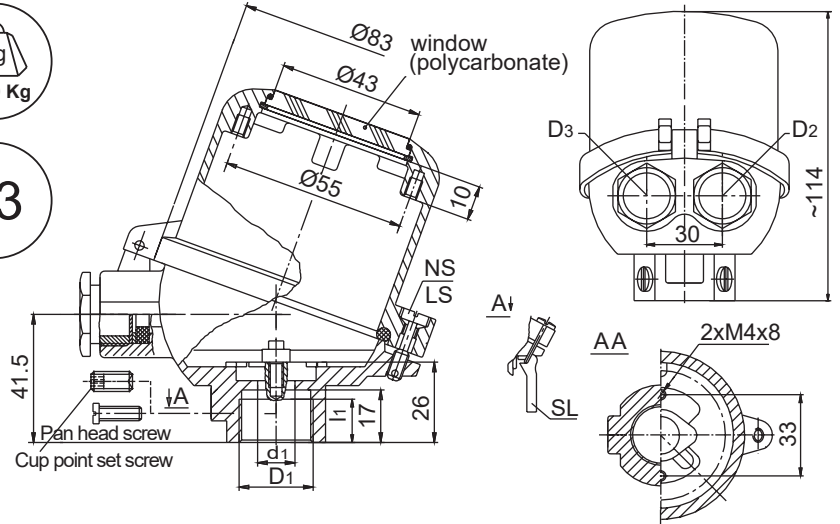


**CONNECTION HEAD - type DANDWwin**

STANDARD ALUMINIUM HEADS  
**01**



(1) DANDWwin	ORDERING CODE		SPECIFICATION			
(2) Material of elements	1		Metal parts - nickel - plated brass; seals-oil resistant rubber* (-40...80°C)			
	3		Cable gland - nickel - plated brass; other metal parts - stainless steel; seals-oil resistant rubber (-40...80°C)			
(3) Cable gland thread D <sub>2</sub> /D <sub>3</sub>	M2		M20x1.5			
	G2		G½			
	N2		½NPT (empty thread only)			
	P1		Pg16			
(4) Type of cable gland seal	A		Without notches			
	B		With notches			
	X		No gland, threaded hole only			
(5) Type of process thread D <sub>1</sub> /d <sub>1</sub>			D <sub>1</sub> [ø]	d <sub>1</sub> [ø]	l <sub>1</sub>	d4
	1		Ø11	Ø11	-	M6x16
	2		Ø15.3	Ø11	-	M6x16
	3		Ø22.5	Ø18	-	M6x12
	4		M24x1.5	Ø11	14	-
	5		G¾	Ø14	14	-
	6		G½	Ø14	14	-
	7		½NPT	Ø17.35	20	-
	8		M24x1.5	Ø14	14	-
9		G½	Ø11	14	-	
(6) Side screw d4=2xM6	a		Pan head screw made of steel			
	b		Cup - point set screw with hex socket made of steel			
	c		Pan head screw made of brass			
	e		Pan head screw made of stainless steel			
	f		Cup - point set screw with hex socket made of stainless steel			
	x		No side screw			
(7) Cover closure	NS		Screws without leaden seal holes			
	LS		Screws with leaden seal holes			
	SL		Snap lock			
(8) Paint type	P		Polyester (~70 µm)			
	E		Epoxy (~70 µm)			
	C		Creodur - Rafil (~30 µm)			
(9) Paint colour	al		alu natural colour (only Creodur - Rafil)			
	yc		RAL 1007 daffodil yellow			
	ys		RAL 1003 signal yellow			
	bs		RAL 5005 signal blue			
	sb		RAL 5015 sky blue			
	sg		RAL 7032 pebble grey			
	gr		RAL 7035 light grey			
	ag		RAL 9002 grey white			
	sh		RAL 9006 white aluminium			
	gs		RAL 9007 grey aluminium			
	cw		RAL 9010 pure white			

exception: \*cover pin - zinc-plated carbon steel

**Main features:**

- material of body, cover and snap lock lever - aluminium pressure die-castings
- cable gland washer - zinc - plated press steel
- link of snap lock - nickel - plated springing steel
- ambient temperature: T<sub>amb</sub> = -40 ÷ 80°C
- maximum space for transmitter: Ø45x16mm, Ø60x40mm

**Ordering example:**

(1) (2) (3) (4) (5) (6) (7) (8) (9)  
DANDWwin 1 - M2 A - 2 a - NS - P sh