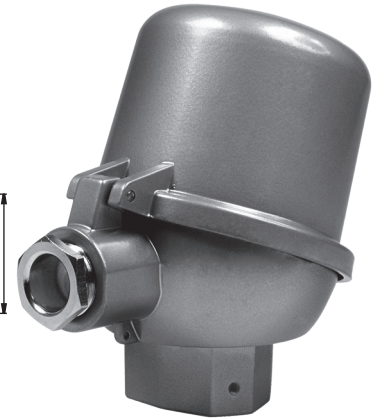
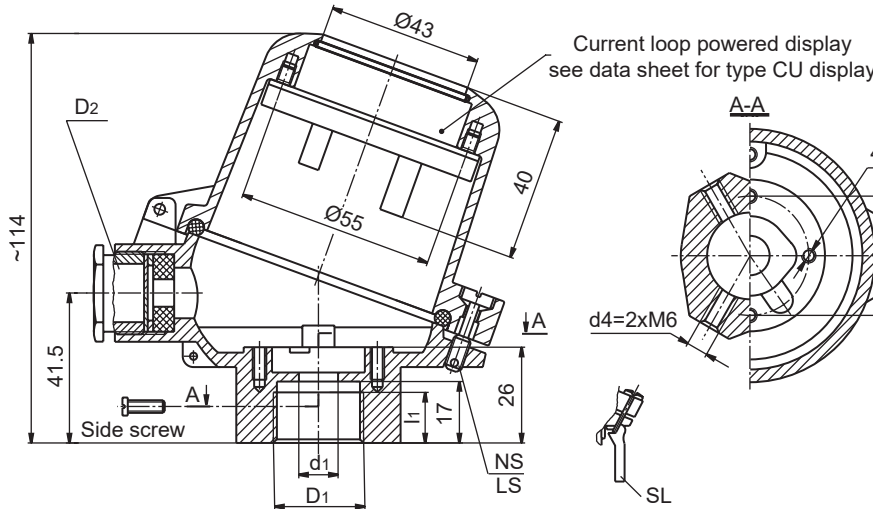


CONNECTION HEAD - type DANAWdic



STANDARD ALUMINIUM HEADS

01

(1)	DANAW	ORDERING CODE		SPECIFICATION			
(10)	Display type	dic		Current loop powered LED display – CU0			
(2)	Material of elements	1		Metal parts - nickel - plated brass; seals-oil resistant rubber* (-20...70°C)			
		3		Cable gland - nickel - plated brass; other metal parts - stainless steel; seals-oil resistant rubber (-20...70°C)			
(3)	Cable gland thread	M2		M20x1.5			
		G2		G½			
		N2		½NPT (empty thread only)			
		P1		Pg16			
(4)	Type of cable gland seal	A		Without notches			
		B		With notches			
		X		No gland, threaded hole only			
(5)	Type of process thread D ₁ /d ₁			D₁ [ø]	d₁ [ø]	l₁	d4
		1		Ø15.3	Ø11	-	M6x20
		2		Ø22.5	Ø14	-	M6x16
		3		Ø26.5	Ø14	-	M6x16
		4		Ø32.5	Ø18	-	M6x10
		5		M24x1.5	Ø14	14	-
		6		G¾	Ø11	14	-
		7		G½	Ø11	14	-
		8		G¾	Ø14	14	-
		9		½NPT	Ø17.35	20	-
10		¾NPT	Ø22.70	20	-		
(6)	Side screw d4=2xM6	a		Screw - Carbon steel zinc - plated			
		c		Screw - Brass nickel - plated			
		e		Screw - Stainless steel			
		x		No tube side screw			
(7)	Cover closure	NS		Screws without leaden seal holes			
		LS		Screws with leaden seal holes			
		SL		Snap lock			
(8)	Paint type	P		Polyester (~70 µm)			
		E		Epoxy (~70 µm)			
		C		Creodur - Rafil (~30 µm)			
		SE		Spray Epoxy (~70 µm)			
		SPU		Spray polyurethane on (SE) layer (~120 µm)			
(9)	Paint colour	al		alu natural colour (only Creodur - Rafil)			
		yc		RAL 1007 daffodil yellow			
		ys		RAL 1003 signal yellow			
		bs		RAL 5005 signal blue			
		sb		RAL 5015 sky blue			
		sg		RAL 7032 pebble grey			
		gr		RAL 7035 light grey			
		ag		RAL 9002 grey white			
		sh		RAL 9006 white aluminium			
		gs		RAL 9007 grey aluminium			
cw		RAL 9010 pure white					

exception: *cover pin - zinc - plated carbon steel



Main features:

- material of body, cover and snap lock lever - aluminium pressure die-castings
- cable gland washer - zinc-plated press steel
- link of snap lock - nickel-plated springing steel
- temperature range: 0+60°C
- maximum space for transmitter: Ø45x30mm

Ordering example:

(1) (10) (2) (3) (4) (5) (6) (7) (8) (9)
DANAW dic 1 - M2 A - 5 x - NS - P sh

Options:

- IP66, IP68 only optional version with non-standard ring located under the window cover. If needed select this option in the order.

