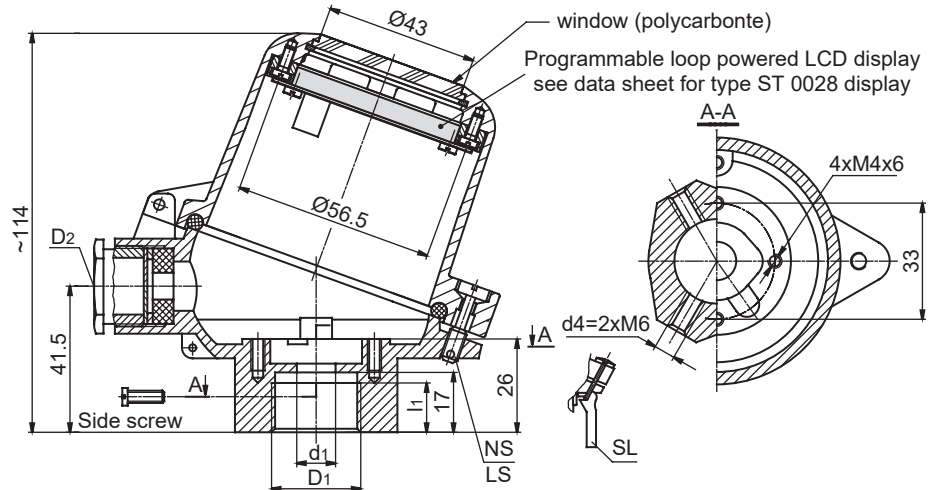


CONNECTION HEAD - type DANAWdia

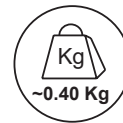
STANDARD
ALUMINIUM HEADS

01



(1)	DANAW	ORDERING CODE	SPECIFICATION			
(10)	Display type	dia	Programmable loop powered LCD display – ST 0028			
(2)	Material of elements	1	Metal parts - nickel - plated brass; seals-oil resistant rubber* (-20...70°C)			
		3	Cable gland - nickel - plated brass; other metal parts - stainless steel; seals-oil resistant rubber (-20...70°C)			
(3)	Cable gland thread	M2	M20x1.5			
		G2	G½			
		N2	½NPT (empty thread only)			
		P1	Pg16			
(4)	Type of cable gland seal	A	Without notches			
		B	With notches			
		X	No gland, threaded hole only			
(5)	Type of process thread D ₁ /d ₁		D₁ [Ø]	d₁ [Ø]	l₁	d4
		1	Ø15.3	Ø11	–	M6x20
		2	Ø22.5	Ø14	–	M6x16
		3	Ø26.5	Ø14	–	M6x16
		4	Ø32.5	Ø18	–	M6x10
		5	M24x1.5	Ø14	14	–
		6	G¾	Ø11	14	–
		7	G½	Ø11	14	–
		8	G¾	Ø14	14	–
		9	½NPT	Ø17.35	20	–
10	¾NPT	Ø22.70	20	–		
(6)	Side screw d4=2xM6	a	Screw - Carbon steel zinc - plated			
		c	Screw - Brass nickel - plated			
		e	Screw - Stainless steel			
		x	No tube side screw			
(7)	Cover closure	NS	Screws without leaden seal holes			
		LS	Screws with leaden seal holes			
		SL	Snap lock			
(8)	Paint type	P	Polyester (~70 µm)			
		E	Epoxy (~70 µm)			
		C	Creodur - Rafil (~30 µm)			
		SE	Spray Epoxy (~70 µm)			
		SPU	Spray polyurethane on (SE) layer (~120 µm)			
(9)	Paint colour	al	alu natural colour (only Creodur - Rafil)			
		yc	RAL 1007 daffodil yellow			
		ys	RAL 1003 signal yellow			
		bs	RAL 5005 signal blue			
		sb	RAL 5015 sky blue			
		sg	RAL 7032 pebble grey			
		gr	RAL 7035 light grey			
		ag	RAL 9002 grey white			
		sh	RAL 9006 white aluminium			
		gs	RAL 9007 grey aluminium			
cw	RAL 9010 pure white					

exception: *cover pin - zinc - plated carbon steel



Main features:

- material of body, cover and snap lock lever - aluminium pressure die-castings
- cable gland washer - zinc-plated press steel
- link of snap lock - nickel-plated springing steel
- temperature range: -20÷70°C
- maximum space for transmitter: Ø45x30mm

Ordering example:

(1) (10) (2) (3) (4) (5) (6) (7) (8) (9)
DANAW dia 1 -M2 A - 5 x - NS - P sh

Options:

- IP66, IP68 only optional version with non-standard ring located under the window cover. If needed select this option in the order.

