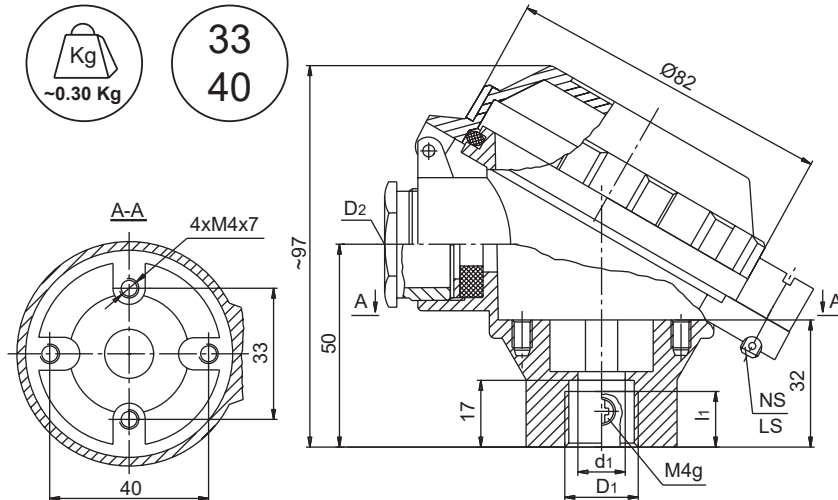


CONNECTION HEAD - type KNP



(1)	KNP	ORDERING CODE	SPECIFICATION		
(2)	Material of elements	1	Metal parts - nickel-plated brass; seals - oil resistant rubber* (-40...100°C)		
		2	Metal parts - nickel-plated brass; seals - silicone rubber* (-40...150°C)		
		3	Cable gland - nickel-plated brass; other metal parts - stainless steel; seals - oil resistant rubber (-40...100°C)		
		4	Cable gland - nickel - plated brass; other metal parts - stainless steel; seals - silicone rubber (-40...150°C)		
(3)	Cable gland thread	M2	M20x1.5		
		G2	G½		
		G3	G¾		
		N2	½NPT (empty thread only)		
		N3	¾NPT		
(4)	Type of cable gland seal	A	Without notches		
		B	With notches		
		X	No gland, threaded hole only		
(5)	Type of process thread D ₁ /d ₁		D₁ [ø]	d₁ [ø]	l₁
		1	M20x1.5	Ø11	14
		2	M24x1.5	Ø15	14
		3	G½	Ø15	14
		4	G¾	Ø21	14
		5	½NPT	Ø17.35	14
(6)	Side screw	g	Screw - Stainless steel		
		x	No tube side screw		
(7)	Cover closure	NS	Screws without leaden seal holes		
		LS	Screws with leaden seal holes		
(8)	Paint type	P	Polyester (~70 µm)		
		E	Epoxy (~70 µm)		
		C	Creodur - Rafil (~30 µm)		
(9)	Paint colour	al	alu natural colour (only Creodur - Rafil)		
		yc	RAL 1007 daffodil yellow		
		ys	RAL 1003 signal yellow		
		bs	RAL 5005 signal blue		
		sb	RAL 5015 sky blue		
		sg	RAL 7032 pebble grey		
		gr	RAL 7035 light grey		
		ag	RAL 9002 grey white		
		sh	RAL 9006 white aluminium		
		gs	RAL 9007 grey aluminium		
cw	RAL 9010 pure white				

exception: *cover pin - zinc - plated carbon steel

Main features:

- material of body and cover - aluminium pressure die-castings
- cable gland washer - zinc-plated press steel
- temperature range: 40+100°C - oil-resistant rubber, 40+150°C - silicone rubber
- maximum space for transmitter: Ø50x16mm

Ordering example:

(1) (2) (3) (4) (5) (6) (7) (8) (9)
KNP 1 - M2 A - 1 g - NS - P sh