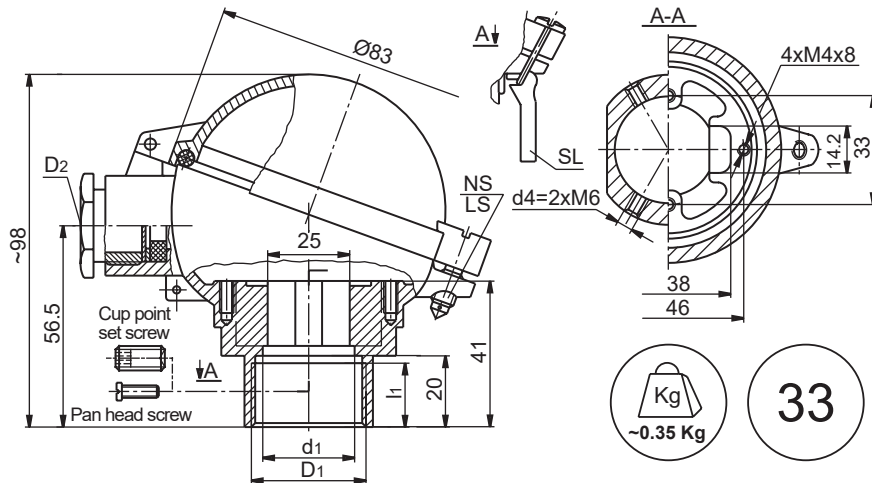


# CONNECTION HEAD - type DAA



STANDARD ALUMINIUM HEADS  
**01**

(1) DAA	ORDERING CODE	SPECIFICATION
(2) Material of elements	1	Metal parts - nickel - plated brass; seals - oil resistant rubber* (-40...100°C)
	2	Metal parts - nickel plated brass; seals - silicone rubber* (-40...150°C)
	3	Cable gland - nickel - plated brass; other metal parts - stainless steel; seals - oil resistant rubber (-40...100°C)
	4	Cable gland - nickel - plated brass; other metal parts - stainless steel; seals - silicone rubber (-40...150°C)
(3) Cable gland thread D <sub>2</sub>	M2	M20x1.5
	G2	G½
	N2	½NPT (empty thread only)
	P1	Pg16
(4) Type of cable gland seal	A	Without notches
	B	With notches
	X	No gland, threaded hole only
(5) Type of process thread D <sub>1</sub> /d <sub>1</sub>		<b>D<sub>1</sub>[ø]</b> <b>d<sub>1</sub>[ø]</b> <b>l<sub>1</sub></b> <b>d4</b>
	1	Ø15.3    Ø11    -    M6x18
	2	Ø22.5    Ø21    -    M6x16
	3	Ø26.5    Ø21    -    M6x16
	4	Ø32.5    Ø27    -    M6x10
	5	M24x1.5    Ø15    17    -
	6	G½    Ø14    17    -
	7	G¾    Ø21    17    -
	8	½NPT    Ø17.35    23    -
9	¾NPT    Ø22.70    23    -	
(6) Side screw d4=2xM6	a	Pan head screw made of steel
	b	Cup - point set screw with hex socket made of steel
	c	Pan head screw made of brass
	d	Cup - point set screw with hex socket made of brass
	e	Pan head screw made of stainless steel
	f	Cup - point set screw with hex socket made of stainless steel
	x	No side screw
(7) Cover closure	NS	Screws without leaden seal holes
	LS	Screws with leaden seal holes
	SL	Snap lock
(8) Paint type	P	Polyester (~70 µm)
	E	Epoxy (~70 µm)
	C	Creodur - Rafil (~30 µm)
Paint colour	al	alu natural colour (only Creodur - Rafil)
	yc	RAL 1007 daffodil yellow
	ys	RAL 1003 signal yellow
	bs	RAL 5005 signal blue
	sb	RAL 5015 sky blue
	sg	RAL 7032 pebble grey
	gr	RAL 7035 light grey
	ag	RAL 9002 grey white
	sh	RAL 9006 white aluminium
	gs	RAL 9007 grey aluminium
	cw	RAL 9010 pure white

exception: \*cover pin - zinc-plated carbon steel

### Main features:

- material of body, cover and snap lock lever - aluminium pressure die-castings
- cable gland washer - zinc-plated press steel
- link of snap lock - nickel - plated springing steel
- temperature range:  
-40+100°C - oil-proof rubber,  
-40+150°C - silicone rubber
- maximum space for transmitter:  
Ø56x13mm, Ø45x40mm

### Ordering example:

(1) (2) (3) (4) (5) (6) (9) (8) (9)  
DAA 1 - M2 A - 4 a - NS - P sh