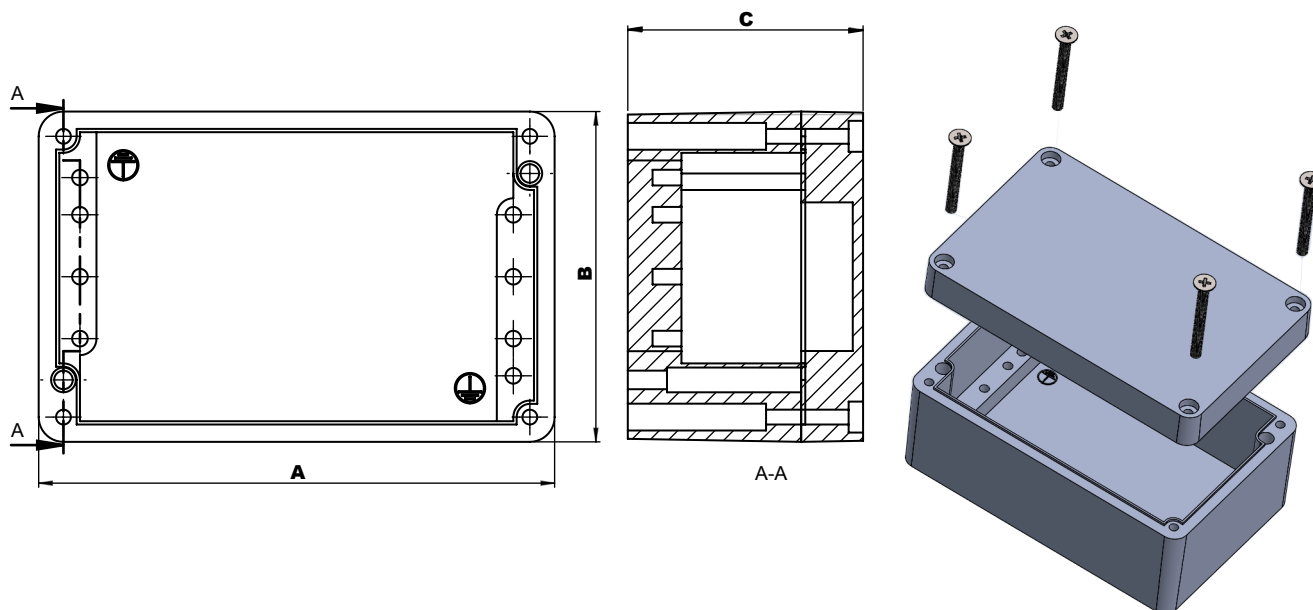


Boxes EAL - aluminium enclosures Version I

Aluminium enclosures for mounting terminal strips, electric devices and electronics



Main features:

Material of body and cover: aluminium alloy, max. 0,55% Mg

Service temperature: T_{serv} -40+80°C, neoprene rubber; oil-, benzine- and solvent-proof

Protection degree: IP65 according to PN-EN 60529

Paint: standard polyester powder paint RAL7001 (silver gray). Other paints and colours on request. Not painted inside

Mounting:

- channels for mounting screws outside the seal area
- mounting screws made of stainless steel
- mounting of rods, brackets and pads for threaded openings - see drawings.

There are 4 versions of spacing of mounting openings - see drawings.

IP65

Ordering example:

(A) (B) (C) (P)
EAL 125. 80. 57 - Pbs

| Box Type | Version I | A | B | C |
|---------------|---------------------|---|----|----|
| | EAL125.80.57 | 125 | 80 | 57 |
| EAL75.80.52 | 75 | 80 | 75 | |
| EAL115.65.55 | 115 | 65 | 30 | |
| EAL115.90.55 | 115 | 90 | 55 | |
| EAL160.100.60 | 160 | 100 | 60 | |
| EAL160.100.81 | 160 | 100 | 81 | |
| EAL200.120.75 | 200 | 120 | 75 | |
| EAL260.160.90 | 260 | 160 | 90 | |
| Paint type | P | Polyester (~70 µm) | | |
| Paint colour | al | alu natural colour (only Creodur - Rafil) | | |
| | yc | RAL 1007 daffodil yellow | | |
| | ys | RAL 1003 signal yellow | | |
| | bs | RAL 5005 signal blue | | |
| | sb | RAL 5015 sky blue | | |
| | sg | RAL 7032 pebble grey | | |
| | gr | RAL 7035 light grey | | |
| | ag | RAL 9002 grey white | | |
| | sh | RAL 9006 white aluminium | | |
| | gs | RAL 9007 grey aluminium | | |
| cw | RAL 9010 pure white | | | |