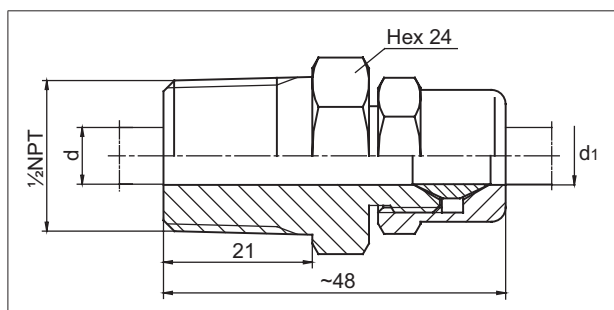


COMPRESSION FITTING - type UG 6



TYPE	DIAMETER OF SHEATH d [mm]	d ₁ [mm]
UG 6 - 8	Ø8	Ø8,2
UG 6 - 10	Ø10	Ø10,2
Material of elements	1.4541 (X6CrNiTi1810)	
Max temperature	500°C	
Gas tightness	to 1 bar (500°C)	
Ordering sample: Compression fitting UG 6 - 8		