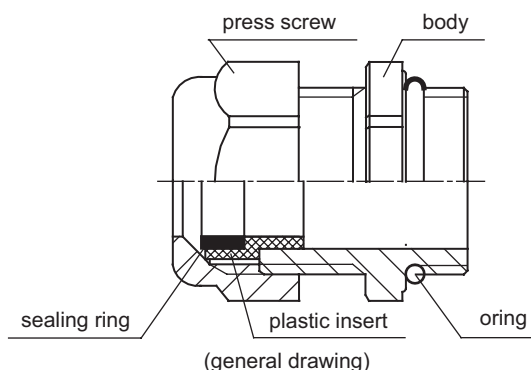


## ASSEMBLED CABLE GLAND (on request)



CABLE GLAND TYPE	THREAD DIMENSION	MATERIAL OF GLAND ELEMENTS	SEAL MATERIAL	RANGE OF CABLE DIAMETER / BRIDE [MM]	TEMPERATURE [°C]	COLOUR	COMPLY WITH STANDARD	APPLICATION
<b>PLASTIC CABLE GLANDS: IP 68; 5 bar</b>								
M1PA..	M16×1.5	PA	Neoprene	Ø2 + Ø7	-40 + 100	RAL 7001=sy RAL 7035=gr RAL 9005=bl	-	MAA
M2PA..	M20×1.5	PA	Neoprene	Ø5 + Ø10	-40 + 100		-	All other types
<b>PLASTIC CABLE GLANDS EExe TYPES: IP 68; 5 bar</b>								
XE M2PA..	M20×1.5	PA	EPDM	Ø5 + Ø9	-20 + 80	RAL 5015=sb RAL 9005=bl	ATEX EExe II EN 50014 EN 50019	All types besides MAA
<b>BRASS CABLE GLANDS: IP 68; 5 bar</b>								
M1M	M16×1.5	M	Neoprene	Ø2 + Ø7	-30 + 100	-	-	MAA
M2M	M20×1.5	M	Neoprene	Ø5 + Ø10	-30 + 100	-	-	All other types
<b>BRASS CABLE GLANDS EEx e TYPES: IP 66; 5 bar</b>								
XE M2M	M20×1.5	M	EPDM	Ø5 + Ø10	-30 + 90	-	ATEX EExe II EN 50014 EN 50019	All types besides MAA
<b>BRASS CABLE GLANDS, EMC - SAFE: IP 68</b>								
EMC M1M	M16×1.5	M	Neoprene	Ø4.5 + 9/Ø4	-30 + 100	-	-	MAA
EMC M2M	M20×1.5	M	Neoprene	Ø7 + 12.5/Ø5	-30 + 100	-	-	All other types
<b>BRASS CABLE GLANDS, WATER AND DUST RESISTANT: IP 68; 10 bar</b>								
WR M1M6	M16×1.5	M	Neoprene	Ø4.5 + Ø5.8	-20 + 80	-	-	MAA
WR M2M7	M20×1.5	M	Neoprene	Ø6 + Ø6.8	-20 + 80	-	-	All other types
<b>BRASS CABLE GLANDS FOR HIGH TEMPERATURES: IP 68</b>								
SVH M1M	M16×1.5	M	Viton	Ø4.0 + Ø5.5 Ø5.5 + Ø6.5	-15 + 200	-	-	MAA
SVH M2M	M20×1.5	M	Viton	Ø5.5 + Ø6.5 Ø7 + Ø8.5 Ø8 + Ø10.5 Ø10.5 + 12.5 Ø12.5 + Ø14	-15 + 200	-	-	All other types

**Ordering: Cable gland M1PAgr XE M2PAsb  
EMCM2M XE M2M**