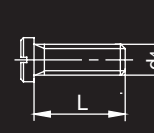
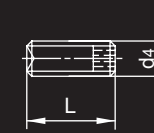
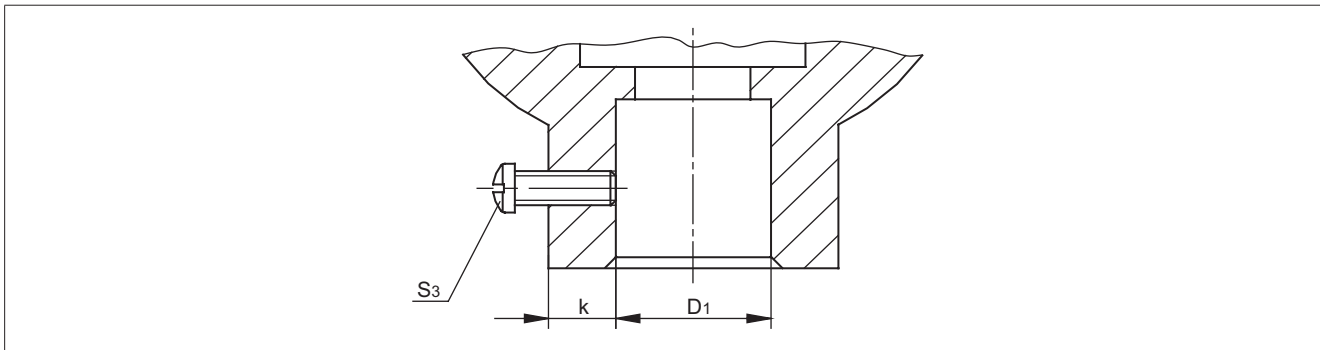


CONNECTION HEAD TYPE	D ₁	k	S1  DIN 84			S2  DIN 916			
			d ₄ x L	Material	Short mark	d ₄ x L	Material	Short mark	Hex socket
MAA	Ø 6.1	7.2	M5x10	ST	a	-	-	-	-
	Ø 10.1	5.2	M5x8	ST	a	-	-	-	-
BA	Ø 6.5	10.7	M4x14	ST,M,N	a,c,e	M4x10	ST,N	b,f	2
	Ø 9	9.5	M4x14						
	Ø 10.5	8.7	M4x12						
	Ø 12.2	7.9	M4x12						
	Ø 15.3	6.3	M4x10						
	Ø 15.5	6.2	M4x10						
GHP G12	Ø 10.5	8.7	M4x12	ST,M,N	a,c,e	M4x8	ST,N	b,f	2
	Ø 15.5	6.2	M4x10						
	Ø 15.8	6.1	M4x10						
NA	Ø 15.3	7.3	M5x12	ST,M,N	a,c,e	M5x6	ST,N	b,f	2.5
	Ø 15.8	7.1	M5x12						
DAN	Ø 11	14.5	M6x16	ST,M,N	a,c,e	M6x12	ST,N	b,f	3
	Ø 15.3	12.3	M6x16						
	Ø 22.5	8.7	M6x12						
DNAG	M24x1.5	-	-	-	-	M4x6	ST,N	b,f	2
	G ½	-	-						
	G ¾	-	-						
	½ NPT	-	-						
DA DAA	Ø 15.3	14.8	M6x18	ST,M,N	a,c,e	M6x14	ST,N	b,f	3
	Ø 22.5	11.2	M6x16						
	Ø 26.5	9.2	M6x16						
	Ø 32.5	6.2	M6x10						
A AA	Ø 13	16.9	M6x20	ST,M,N	a,c,e	M6x16	ST,N	b,f	3
	Ø 22.3	11.6	M6x16						
	Ø 22.8	11.4	M6x16						
	Ø 26.8	9.4	M6x16						
	Ø 32.5	6.5	M6x10						
DANA	Ø 15.3	15.1	M6x20	ST,M,N	a,c,e	M6x14	ST,N	b,f	3
	Ø 22.5	11.5	M6x16						
	Ø 26.5	9.5	M6x16						
	Ø 32.5	6.5	M6x10						
BGG	Ø 15.5	12.2	-	-	-	M6x12	ST	b	3

ACCESSORIES FOR CONNECTION HEADS

11



CONNECTION HEAD TYPE	D ₁	k	S3	SN 213306 Freedrive (Philips, From H)			
			d4 x L	Material	Short mark		
KSE KME	G ³ / ₄	10.2	M3x12	ST	g		
	G ¹ / ₂	6.3	M3x10				
	1/4NPT	10.3	M3x12				
	1/2NPT	6.4	M3x10				
	M10x1	11.8	M3x14				
KNE	M14X1.5	9.7	m3x12	ST	g		
	M20x1.5	9.6	M4x12				
	G ¹ / ₂	9.7	M4x12				
	1/2NPT	7.0	M4x10				
	G ³ / ₄	10.3	M4x12				
CSE	3/4NPT	7.6	M4x10	ST, N	b, f		
	CONNECTION HEAD TYPE	D ₁	k			S2	DIN 916
		G ³ / ₈	10.7			M4x10	ST, N
CE	G ¹ / ₄	9.3	M4x8	ST, N	b, f		
	3/8NPT	8.0	M4x8				
	M24x1.5	-	M4x6			ST, N	b, f
	G ¹ / ₂	-					
	G ³ / ₄	-					
1/2NPT	-						
3/4NPT	-						

Ordering : **Screw M4x12 ST DIN 84A**
 Screw M4x 8 N DIN 916
 Screw M4x10 ST Freedrive

ACCESSORIES FOR CONNECTION HEADS

11