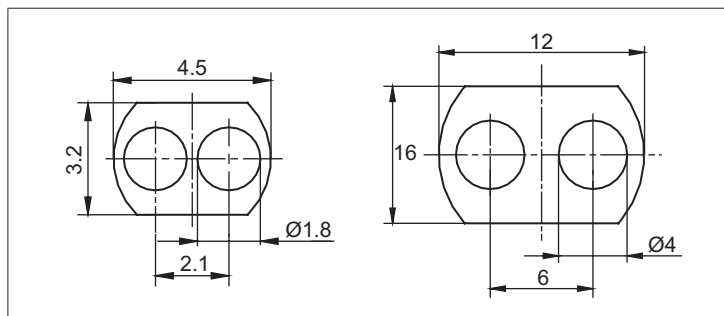
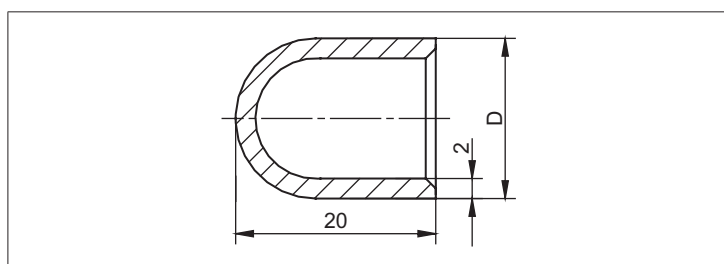


## TWO HOLES OVAL INSULATORS

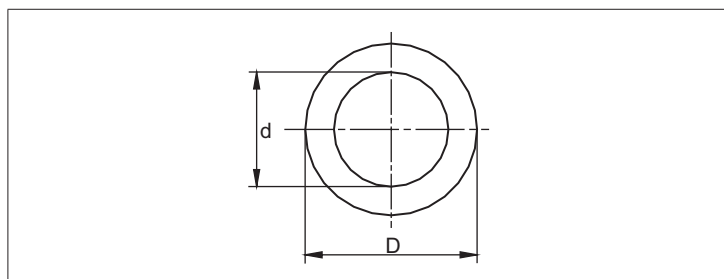


D [mm]	MATERIAL	ORDER No.
5	C 610	4 - 7434.1
30	C 610	4 - 7434
100	C 710	4 - N - 6465
8	C 130	4 - L0126



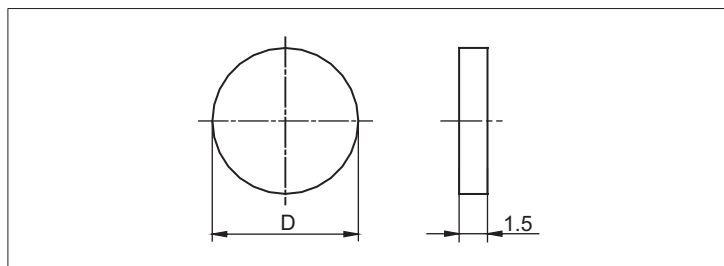
## INSULATING CUP

D [mm]	MATERIAL	ORDER No.
Ø12	C 610	4 - N - 6466
Ø16		4 - N - 6466.1



## HOLE SPINE

D [mm]	d [mm]	l [mm]	MATERIAL	ORDER No.
Ø2.7	Ø1.9	3.5	C 220	4 - 2829.3
Ø4.2	Ø3.2	5		4 - 2829.4
Ø6	Ø4	5		4 - 2829.2



## INSULATING DISK

D [mm]	MATERIAL	ORDER No.
Ø2.7	C 220	4 - 2896.4
Ø4.2		4 - 2896.1
Ø6		4 - 2896.2