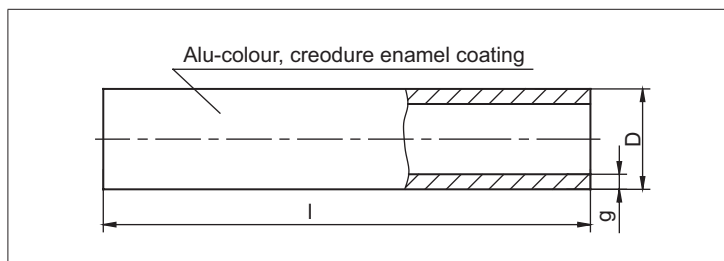
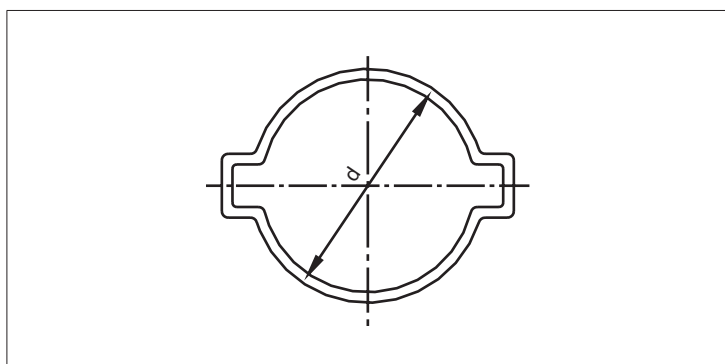


## STEEL HOLD TUBE



STEEL HOLD TUBE DIMENSION					
For Ceramic protection tube	D [mm]	g [mm]	l [mm]	Material	Order No.
Ø10	Ø15	2	97	1.7335	<b>4 - L1691.1</b>
Ø15	Ø22	2	170		<b>4 - L1691.2</b>
Ø24 and Ø26	Ø32	1.5	220		<b>4 - L1691.3</b>

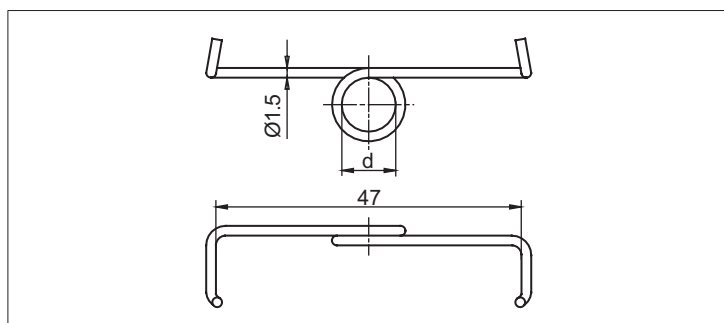
## HOLD RING (Oetiker)



CERAMIC PROTECTION TUBE	d [mm]	ORDER No.
Ø4	3+5	<b>BN 451 3-5</b>
Ø5	3+5	<b>BN 451 3-5</b>
Ø7	5+7	<b>BN 451 5-7</b>
Ø8	7+9	<b>BN 451 7-9</b>
Ø10	9+11	<b>BN 451 9-11</b>
Ø15	13+15	<b>BN 451 13-15</b>
Ø24	22+25	<b>BN 451 22-25</b>

Material: steel; zinc-plated

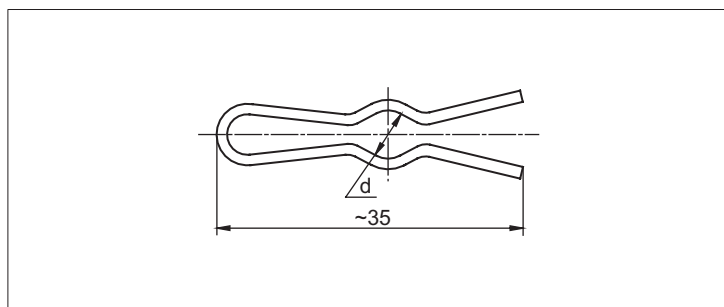
## HOLD SPRING FOR LIMATHERM COMPONENTS TYPE TERMINAL BLOCK



DIAMETER OF PROTECTION BAR	FIT TO THE TERMINAL BLOCK	ORDER No.
Ø8.5	A1S - G . A1S - G . L	<b>4 - 37391</b>
Ø6		<b>4 - 37391.1</b>
Ø5.5		<b>4 - 37391.2</b>
Ø4.5		<b>4 - 37391.3</b>

Material: zinc-plated spring steel

## HOLD SPRING EUROPEAN TYPE



DIAMETER OF PROTECTION BAR	FIT TO THE CONNECTION HEAD	ORDER No.
Ø5.5	BA, BA ., AA, AA ., DAA, DAA .	<b>4 - L1768.1</b>
Ø8.5	BA, BA ., AA, AA ., DAA, DAA .	<b>4 - L1768.2</b>

Material: zinc-plated spring steel