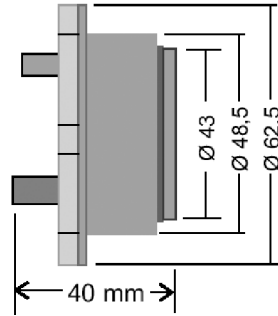
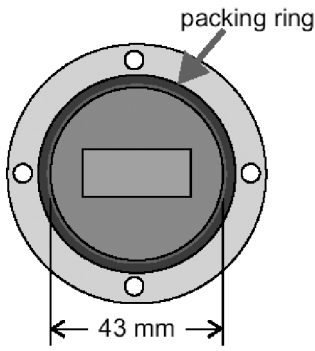


# LED DISPLAY - type CU



TECHNICAL DATA	
<b>INPUT</b>	
Measurement range	4...20mA
Input resistance	R <sub>i</sub> at 20 mA: < 250 ohms
<b>ACCURACY</b>	
Resolution	-999...+9999 digit -99...+999 digit unit is indicated
Measuring fault	±0,2% of measuring range, ±1 digit
Temperature drift	100 ppm/K
Measuring principle	Ramp conversion
<b>INDICATION</b>	
Display	LED with 7 segments, 8mm high, red, 4 digits = indication 9999
Overflow/Underflow	to HI / to LO
Time of indication	0,1s – 1s – 10s (adjustable)
<b>HOMOLOGATION</b>	
EC Type Examination Certificate	ZELM 02 ATEX 0122
Type of protection	EEx ia T6
<b>AMBIENT CONDITIONS</b>	
Operating temperature	0...+60°C
Storing temperature	-20...+80°C
<b>MECHANICS</b>	
Housing	Ø43/48,5/62,5 mm × 40 mm
Assembly cut out	Ø43,2 mm
Fastening	4 mounting holes for M4
Housing material	Macrodon
Degree of protection	at the front IP 67 connection IP 20
<b>Weight</b>	
	<b>approx. 40 g</b>
Connection	at the rear via plug in connector up to 1,5 mm <sup>2</sup>
Applying	Limatherm's connection head: DA..Wdic (fixing kit KDCU0); XE-DANAWdid (fixing kit KDCU1)
<b>PROGRAMMABLE FEATURES</b>	
Range of indication	Decimal point
Time of indication	4th digit to unit (°C/°F)
ELECTRICAL DATA	
Supply and signal circuit	only for connection to an intrinsically safe circuits with the max. values: U <sub>0</sub> =30 V; I <sub>0</sub> =100 mA; P <sub>0</sub> =1 W

## Ordering:

- CU0 – standard version
- CU1 – Ex ia C T6

**LED DISPLAY type CU**

4-pole plug in connector for input  
3 keys for programming  
Pin head connector for external programming

4...20 mA

Transmitter

Main adaptor  
Transmitter

## Important notice!

Observe manual when mounting, initiating and operating this indicator. When you are using the Ex model observe in addition the supplied EC Type Examination Certificate (ZELM 02 ATEX 0122)

DISPLAYS 07