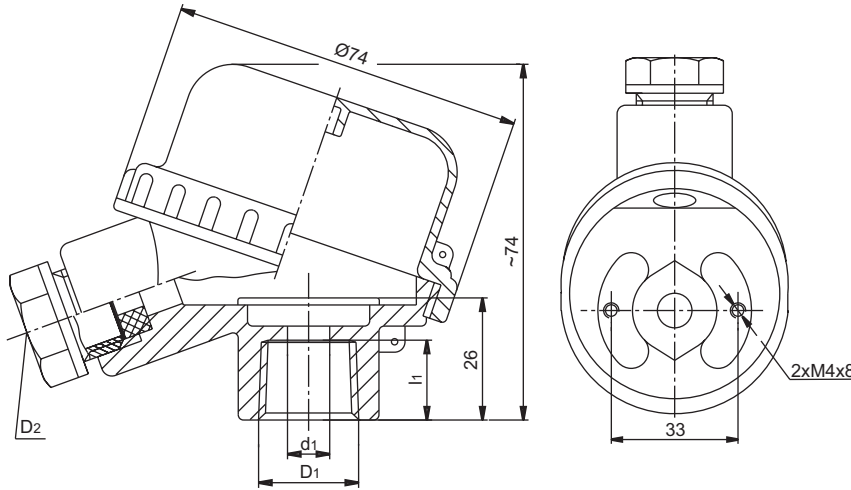


CONNECTION HEAD - type BBK



(1)	BBK	ORDERING CODE	SPECIFICATION		
(2)	Material of elements	PA	All plastic parts - polyamide; seals-oil resistant rubber		
(3)	Cable gland thread D ₂	M2	M20x1.5		
		G2	G½		
		N2	½NPT (empty thread only)		
		N3	¾NPT		
(4)	Type of cable gland seal	P1	Pg16		
		A	Without notches		
		B	With notches		
(5)	Type of process thread D ₁ /d ₁	X	No gland, threaded hole only		
			D ₁ [ø]	d ₁ [ø]	l ₁
		1	Ø15.3	Ø9	17
		2	M24x1.5	Ø9	17
		3	G½	Ø9	17
4	½NPT	Ø9	17		

Main features:

- material of body, cover and press cap:
- PA - glass reinforced polyamide - (80°C)
- cable gland washer - stainless steel
- inside insert nut - brass
- body colour - black, cover colour to choose
- maximum space for transmitter: Ø45x25mm

Ordering example:

(1) (2) (3) (4) (5)
BBK - PA - M2 A - 2