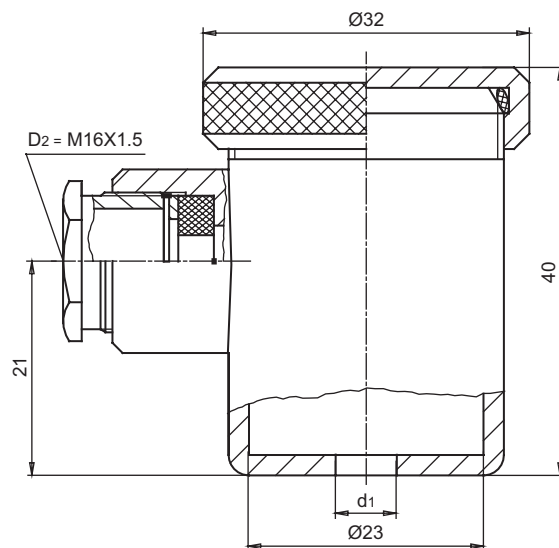


CONNECTION HEAD - type SMG



BRASS HEADS

05

(1)	SMG	ORDERING CODE	SPECIFICATION
(2)	Material of elements		Metal parts - brass CuZn39Pb2; seals-oil resistant rubber (-40...100°C)
(4)	Type of cable gland seal	A	Without notches
		B	With notches
		X	No gland, threaded hole only
Hole diameter of body	Ø6		Ø6
	Ø8		Ø8

Main features:

- material of body and cover: brass CuZn39Pb2
- cable gland washer - zinc - plated press steel
- protection degree: maximum IP 65
- coating: non existing

Ordering example:

(1) (4)
SMG - A - Ø6