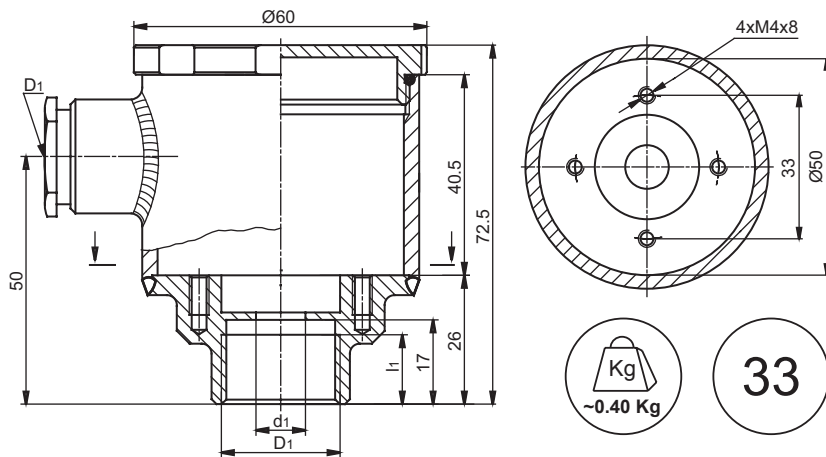


CONNECTION HEAD - type BEGF



STAINLESS
STEEL HEADS

03

(1)	BEGF	ORDERING CODE	SPECIFICATION		
(2)	Material of elements	3	Metal parts - stainless steel; seals-oil resistant rubber (-40...100°C)		
		4	Metal parts - stainless steel; seals - silicone rubber (-40...150°C)		
(3)	Cable gland thread D ₂	M2	M20x1.5		
		G2	G½		
		N2	½NPT (empty thread only)		
		P1	Pg16		
(4)	Type of cable gland seal	A	Without notches		
		B	With notches		
		X	No gland, threaded hole only		
(5)	Type of process thread D ₁		D₁ [ø]	d₁ [ø]	l₁
		1	M24x1.5	Ø14	14
		2	G½	Ø12	14
		3	G¾	Ø14	14
		4	½NPT	Ø17.35	18.5
5	¾NPT	Ø22.70	18.5		

Main features:

- material of body and cover - stainless steel 1.4541 (N)
- temperature range:
-40÷100°C - oil-proof rubber
-40÷150°C - silicone rubber
- maximum space for transmitter: Ø45x20mm
- coating - non existing

Ordering example:

(1) (2) (3) (4) (5)
BEGF 3 - M2 A - 1