

IP GRADES OF PROTECTION FOR CONNECTION HEADS

The sealing system provided in three places is a deciding factor in determining the degree of protection for connection heads:

1. Sealing system type of connecting a cable against the connection head body, i.e:

- sealing system of a cable in a cable gland,
- sealing system of a joint between a cable gland body and a connection head body.

2. Sealing system type of a cover with the body,

3. Sealing system type of a thermowell running connecting a sensor with the head body.

The IP protection degree of a head depends on the type of head selected by the customer and its characteristic design in decisive spots with regard to the head's tightness.

PRODUCER'S RESPONSIBILITY, CUSTOMER'S RESPONSIBILITY

The IP protection degree of a connection head is equal to the IP of an element of the poorest tightness in the head. The IP protection degree of a head assembled on a sensor depends on how it is mounted on a subject to be measured, that is:

- How is the thermowell mounted on the connection head?
- Whether or not cover screws are tightened to the body strong enough?
- Is the cable diameter selected properly with regard to the gasket diameter in the cable entry ducts?
- Whether or not the press cap of the cable gland is tightened strong enough?

The manufacturer of the connection head cannot decide on the above indicated matters, thus he is not liable for the correctness of its performance. Any damage due to IP of the housing being lower than the guaranteed one is also beyond the manufacturer's liability.

The IP protection degree of an individual connection head is the same as the relevant IP of this head's structural component with the poorest tightness.

STANDARDS

Adequate tests were performed on the basis of and in accordance with the following standards:

- EN 60 529

CUSTOMER AND PRODUCER RESPONSIBILITIES

THREE PLACES ARE CRUCIAL FOR THE IP DEGREE:

LIMATHERM RESPONSIBILITY

- sealing surface quality

CUSTOMER RESPONSIBILITY

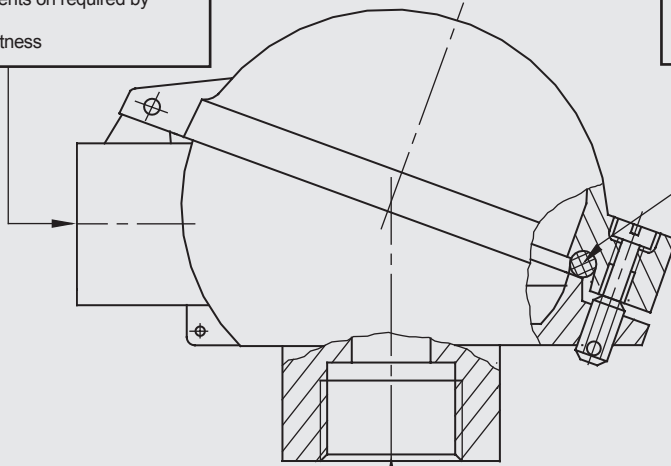
- choosing of cable gland type with regards to IP degree
- choice of sealing ring type
- sealing ring fitting to cable diameter
- cable gland mounting and sealing quality
- choosing of cable diameter with regards to producer requirements on required by its producer
- rate of press cap tightness

LIMATHERM'S RESPONSIBILITY

- design
- quality

CUSTOMER'S RESPONSIBILITY

- rate of screw tightness



LIMATHERM'S RESPONSIBILITY

- thread execution quality

CUSTOMER'S RESPONSIBILITY

- choice of connection head type - thermowell connection
- connection head - thermowell sealing

OVERVIEW DRAWING OF A CONNECTION HEAD