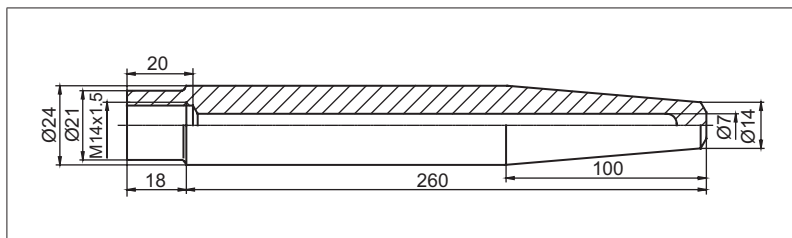
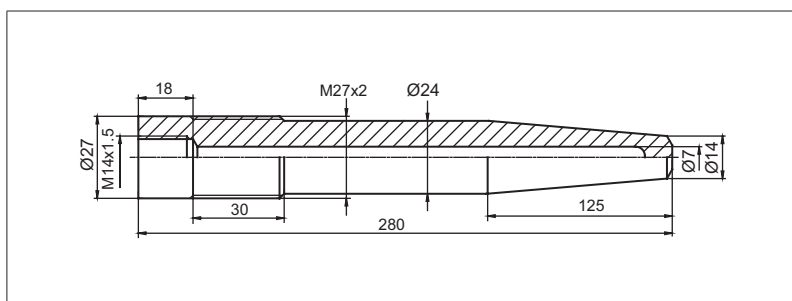


SOLID MACHINED THERMOWELL with welding neck



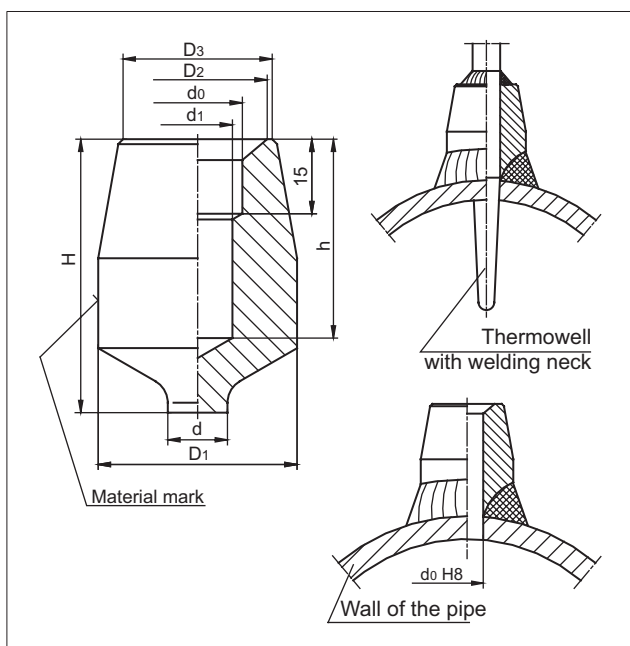
RELATED COMPONENTS:	
TYPE	
Connection heads	
Instrument Housings	
ORDERING No.	MATERIAL
4 - L0039.1	1.7380 (10CrMo9.10)

SOLID MACHINED THERMOWELL with thread



RELATED COMPONENTS:	
TYPE	
Connection heads with G½ or M24x1.5 threads	
Instrument Housings with G½ or M24x1.5 threads	
ORDERING No.	MATERIAL
4 - L0038	1.7380 (10CrMo9.10)

TUBE WELDED PLUG for THERMOWELL with welding neck - type T4



RELATED COMPONENTS:									
TYPE									
Connection heads									
Instrument Housings									
TUBE WELDED PLUG TYPE	DIMENSION [mm]								MATERIAL
T4 - 18	d ₀	d ₁	D ₂	D ₃	d	D ₁	h	H	1.7335 (13CrMo44)
T4 - 24	Ø18H8	Ø14	Ø28	Ø30	Ø12	Ø40	40	55	1.7380 (10CrMo9.10)
	Ø24H8	Ø20	Ø34	Ø38	Ø18	Ø50	45	65	
Ordering: Tube welded plug: T4 - 18 - Material, T4 - 24 - Material Ordering example: Tube welded plug: T4 - 18 - 1.7335									