

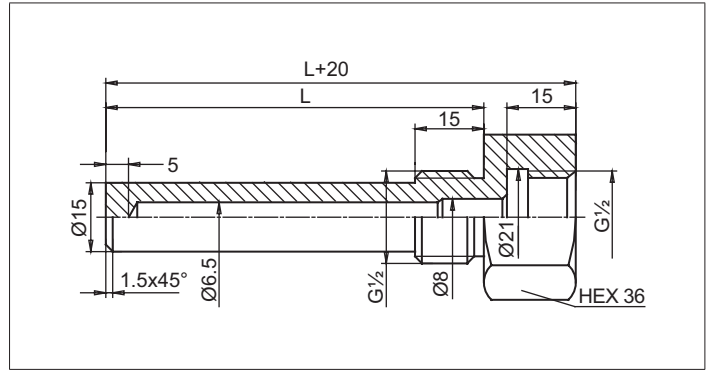
THERMOWELLS with THREAD PROCESS CONNECTION - type 4-L1127

RELATED COMPONENTS:	
TYPE	
Connection heads with G½ threads	
Instrument Housings with G½ threads	

TYPE	L [mm]	MATERIAL
4-L1127	160	1.4541 (X6CrNiTi1810)
	200	
	240	
	250	

Ordering: Thermowell 4-L1127-L

Custom modifications are available.

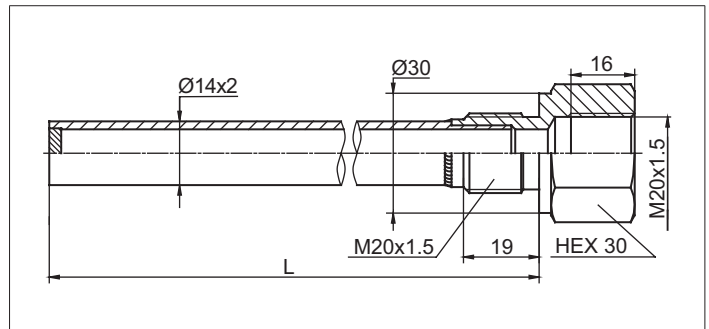


THERMOWELLS with THREAD PROCESS CONNECTION - type 4-Z-L0616/78

RELATED COMPONENTS:	
TYPE	
Connection heads with M20x1.5 threads	
Instrument Housings with M20x1.5 threads	

TYPE	L [mm]	MATERIAL
4-Z-L0616/78	100	1.4541 (X6CrNiTi1810)
	200	
	400	

Ordering: Thermowell 4-Z- L0616/78-L

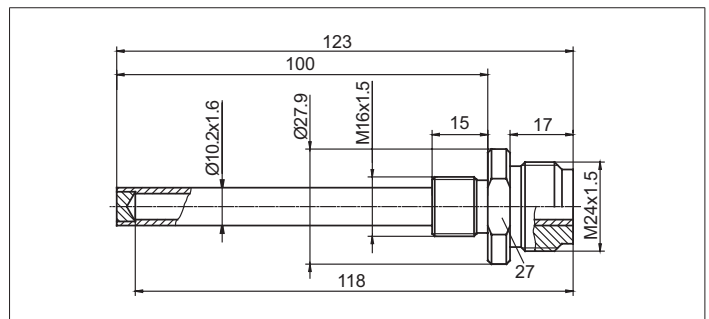


THERMOWELLS with THREAD PROCESS CONNECTION - type 4-Z-53539

RELATED COMPONENTS:	
TYPE	
Connection heads with M20x1.5 threads	
Instrument Housings with M20x1.5 threads	

TYPE	MATERIAL
4- Z-53539	1.4541 (X6CrNiTi1810)

Ordering: Thermowell 4-Z-53539



THERMOWELLS with THREAD PROCESS CONNECTION - type 4L1835

RELATED COMPONENTS:	
TYPE	
Connection heads with M24x1.5 threads	
Instrument Housings with M24x1.5 threads	

ORDERING No.	MATERIAL
4-L1835	1.4541 (X6CrNiTi1810)

