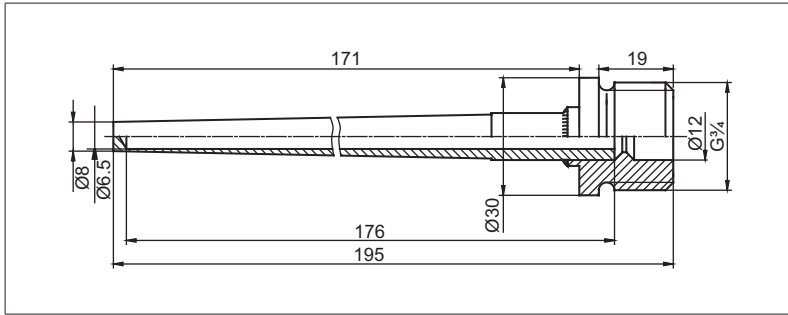


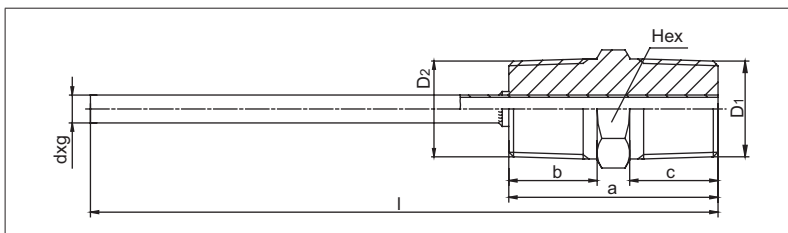
THERMOWELLS with THREAD PROCESS CONNECTION - type 4-L1836



RELATED COMPONENTS:	
TYPE	
Connection heads with G3/4 threads	
Instrument Housings with G3/4 threads	

ORDERING No.	MATERIAL
4-L1836	1.4541 (X6CrNiTi1810)

THERMOWELLS with THREAD PROCESS CONNECTION



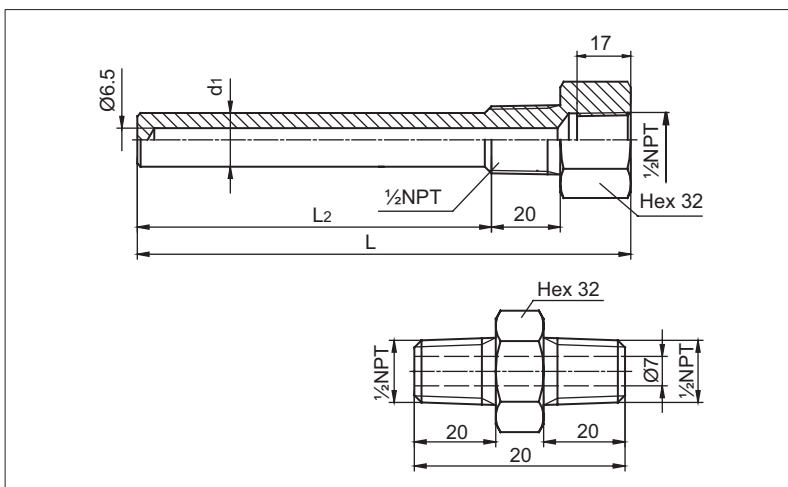
RELATED COMPONENTS:	
TYPE	
Connection heads	
Instrument Housings	

DIMENSION [mm]					D ₁	D ₂	Hex	ORDER No.
a	b	c	d × g	l				
45	19	19	Ø6×0.5	on request	½NPT	½NPT	22	4-Z-L1680.1
45	19	19	Ø4×0.35					4-Z-L1680.2
39	19	10	Ø6×0.5	on request	¼NPT	½NPT		4-Z-L1680.3
39	19	10	Ø4×0.35					4-Z-L1680.4
36.5	19	7.5	Ø6×0.5	on request	¼NPT	½NPT		4-Z-L1680.5
36.5	19	7.5	Ø4×0.35					4-Z-L1680.6
35	14	14	Ø8×0.6	on request	¼NPT	¼NPT	14	4-Z-L1680.7

Material: stainless steel 1.4541

Custom modifications are available.

THERMOWELLS with THREAD PROCESS CONNECTION



RELATED COMPONENTS:	
TYPE	
Connection heads	
Instrument Housings	

DIMENSION [MM]			MATERIAL	ORDERING No.
L	L ₂	d ₁		
95	55	Ø15	1.4541 (X6CrNiTi1810)	4-Z-L1751
175	135	Ø11		4-Z-L1751.1