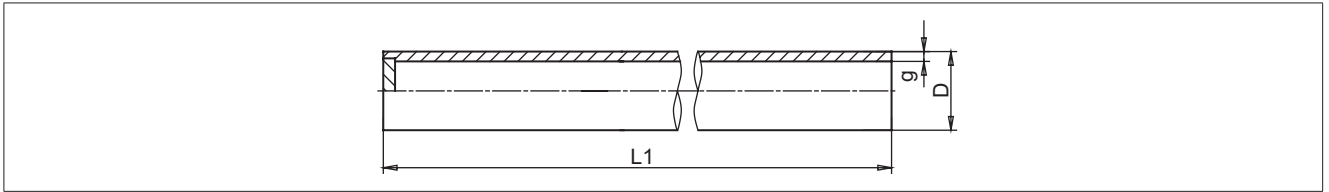


HEAT RESISTING STEEL THERMOWELLS - type P15

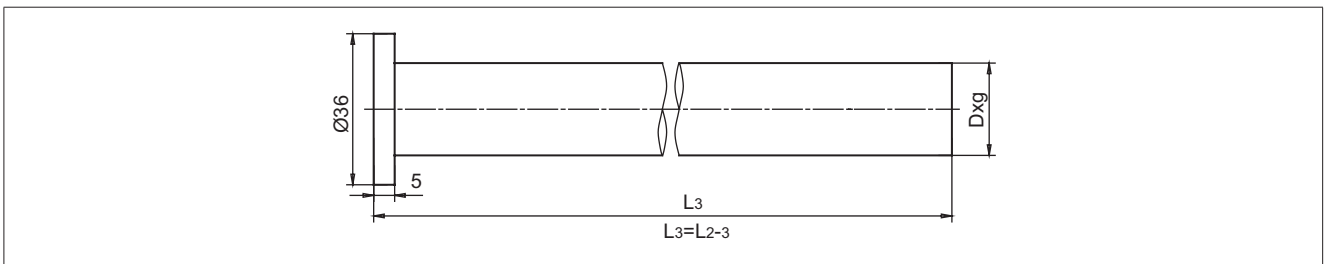


THERMOWELL TYPE	DIMENSION D×G [mm]	DIMENSIONS [MM]		MATERIAL	COATING	MAX WORK TEMPERATURE IN AIR [°C]
		NOMINAL LENGTH OF SENSOR L	L ₁			
P15	Ø 15 × 3	250, 350, 500, 710, 1000, 1400, 2000	L + 17	1.7335 (13CrMo44)	- paint* - enamel (Em)	550
	Ø 15 × 2			1.4841 (X15CrNiSi2520)	-	1150
	Ø 15 × 2			1.4762 (X10CrAl24)	-	1200

Ordering: **Thermowell P15-L-Material**
Ordering example: **Thermowell P15-710-1.7335**

* - temporary protection, coating is burned at 550°C

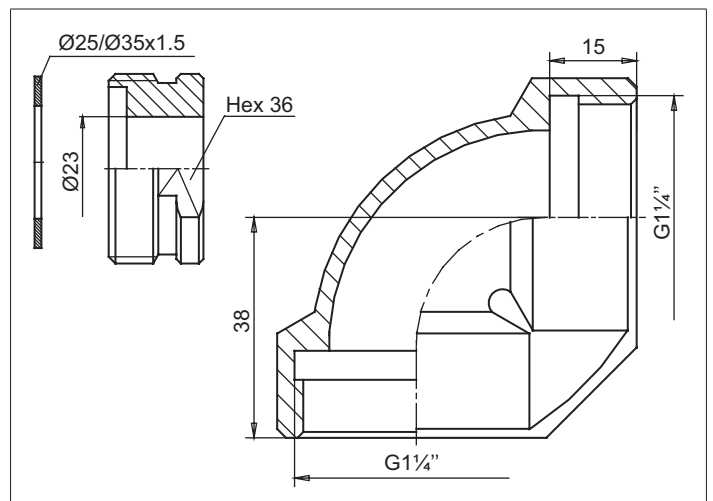
ANGULAR THERMOWELLS HOLDING PIPE HP



MATERIAL: 1.7335 LACQUER COATED		
DIMENSION D×g [mm]	L ₂ [mm]	Order No.
Ø22×2	500	4-Z-53518.1
	570	4-Z-53518.2

Ordering sample: **Holding pipe HP 4-Z-53518.1**

ANGULAR THERMOWELLS ELBOW S



RELATED COMPONENTS:

TYPE

Connection heads
Instrument Housings

ELBOW S

Material: cast steel; yellow
Ordering sample: **ELBOW S 4 - 53602**

WASHER

Material: (non asbestos) BELPA
Ordering sample: **WASHER 4 - L0540.5**

NIPPEL

Material: 1.0715 zinc-plated
Ordering sample: **NIPPLE 4 - 53520**