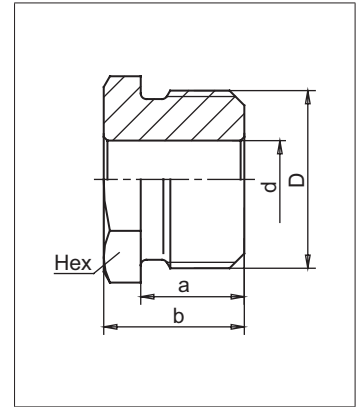


CAPS

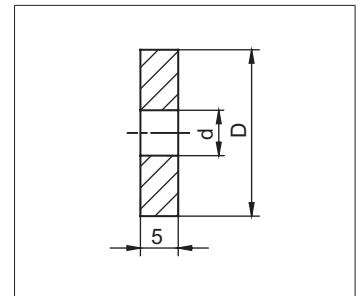
DIMENSION [mm]					MATERIAL	ORDER No.
D	d	a	b	Hex		
M20×1.5	Ø8.5	14	19	24	1.0715 zinc-plated	4 - 37471.6
	Ø12.5					4 - 37471.7
M24×1.5	Ø3.5					4 - 37471.10
	Ø6.5					4 - 37471.1
	Ø8.5					4 - 37471.2
	Ø9.5					4 - 37471.3
	Ø11.5					4 - 37471.4
	Ø12.5					4 - 37471.5
	Ø14.5					4 - 37471.9



Other dimensions and materials on request.

SEAL RING FOR MEASURING INSERT

DIMENSION [mm]		MATERIAL	ORDER No.
d	D		
Ø3.2	Ø22	Rubber "S"	4 - 37426.5
Ø4.5			4 - 37426.6
Ø6			4 - 37426.1
Ø8			4 - 37426.2
Ø6		Rubber "O"	4 - 37426.3
Ø8			4 - 37426.4



Other dimensions on request.

WELDED FITTING

DIMENSION [mm]				D ₁	D ₂	Hex	MATERIAL	Order No.
a	b	c	d					
45	19	19	Ø 6.1	½NPT	½NPT	22	1.4541 321	4-L02018.1
45	19	19	Ø 4.1					4-L02018.2
39	19	10	Ø 6.1	¼NPT	½NPT	22		4-L02018.3
39	19	10	Ø 4.1					4-L02018.4
36.5	19	7.5	Ø 6.1	¾NPT	½NPT	22		4-L02018.5
36.5	19	7.5	Ø 4.1					4-L02018.6
35	14	14	Ø 8.1	¼NPT	¼NPT	17		4-L02018.7

Shapes, dimensions, threads, materials on request

