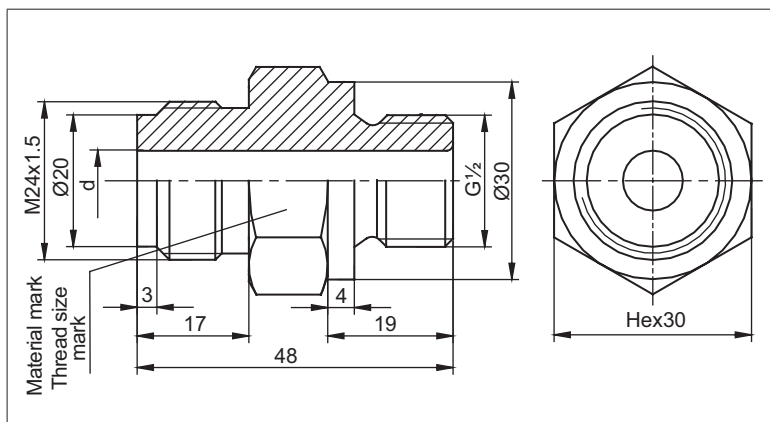
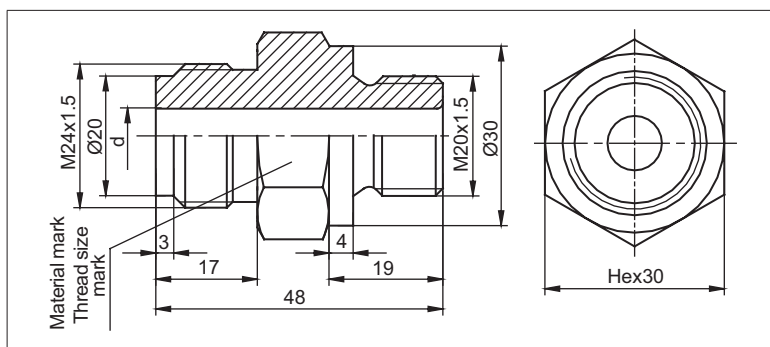


## WELDED FITTING - type GB G $\frac{1}{2}$



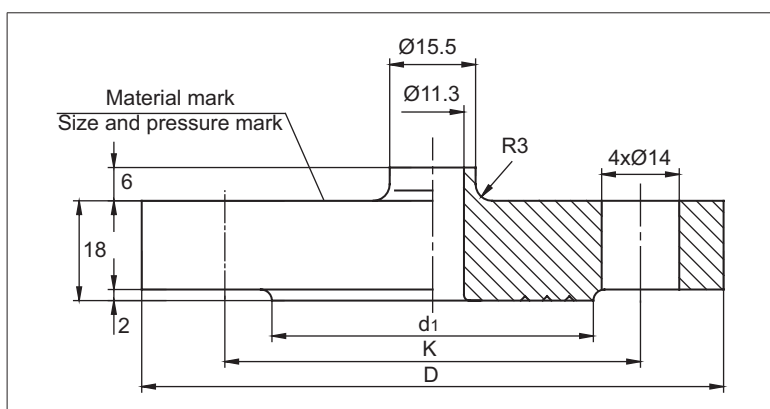
MATERIAL	d [mm]	ORDERING No.
1.4541	Ø9.1	4-37465.4
1.4541	Ø12.1	4-37465.5
1.4571	Ø9.1	4-37465.6

## WELDED FITTING - type GB M20x1.5



MATERIAL	d <sub>2</sub> [mm]	ORDERING No.
1.4541	Ø9.1	4-37466.4
1.4541	Ø12.1	4-37466.5
1.4571	Ø9.1	4-37466.6

## WELDED THERMOWELL FLANGE



NOMINAL TUBE SIZE NOMINAL PRESSURE	MATERIAL	DIMENSION [mm]			ORDERING No.
		D	K	d <sub>1</sub>	
DN 20 PN 40	1.4541	Ø105	Ø75	Ø58	4-37748.2
	1.4571				4-37748.3
DN 25 PN 40	1.4541	Ø115	Ø85	Ø68	4-37748.5
	1.4571				4-37748.6