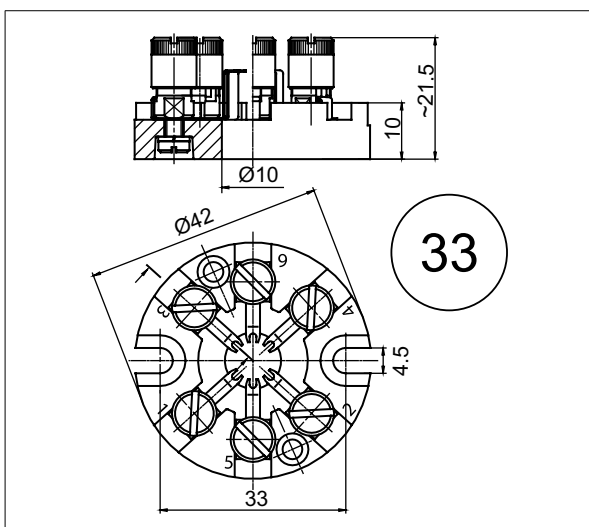


TERMINAL BLOCK - type B16S-G5

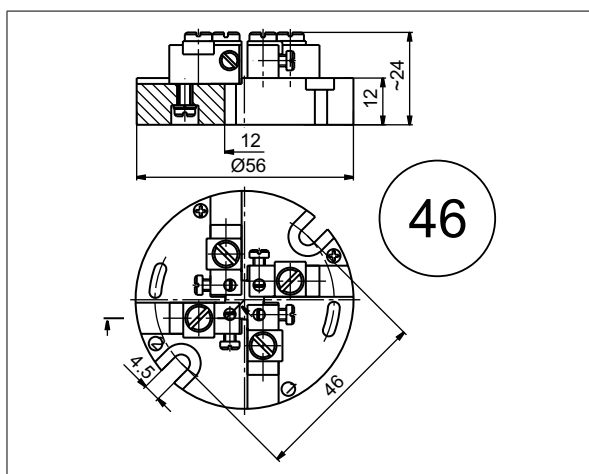
TECHNICAL DATA	
Place to install	„B” type connection heads with 33mm mounting holes spacing
Type of installation	Directly fixed to the connection head by M4 screws
Material of block	Steatite C220 ac. to IEC 60672-3
Material of terminals	Nickel - plated brass
Max. number of terminals	6
Max. diameter of inside wire	Ø1.2mm
Way of connection inside wire to the terminals	By screwing
ORDERING	
TYPE	NUMBER OF TERMINALS
B16S-G5-2 to B16S-G5-6	2 to 6
Ordering example: Terminal block B16S-G5-6	
Unit for fixing to the connection head	
NAME	TYPE
Mounting kit	KBD-1

TERMINAL BLOCK - type B16S-G5L



TECHNICAL DATA	
Place to install	„B” type connection heads with 33mm mounting holes spacing
Type of installation	Directly fixed to the connection head by M4 screws
Material of block	Steatite C220 ac. to IEC 60672-3
Material of terminals	Nickel - plated brass
Max. number of terminals	6
Max. diameter of inside wire	Ø1.2mm
Way of connection inside wire to the terminals	By soldering
ORDERING	
TYPE	NUMBER OF TERMINALS
B16S-G5L-2 to B16S-G5L-6	2 to 6
Ordering example: Terminal block B16S-G5L-6	
Unit for fixing to the connection head	
NAME	TYPE
Mounting kit	KBD-1

TERMINAL BLOCK - type A1S-HS2



TECHNICAL DATA	
Place to install	„A” type connection heads with 46mm mounting holes spacing
Type of installation	Directly fixed to the connection head by M4 screws
Material of block	Steatite C220 ac. to IEC 60672-3
Material of terminals	Nickel - plated brass
Max. number of terminals	4
Max. diameter of inside wire	Ø3mm
Way of connection inside wire to the terminals	By screwing
ORDERING	
TYPE	NUMBER OF TERMINALS
A1S-HS2-2 to A1S-HS2-4	2 to 4
Ordering example: Terminal block A1S-HS2-4	
Unit for fixing to the connection head	
NAME	TYPE
Mounting kit	KAD-1